

HYGIENE & SANITATION

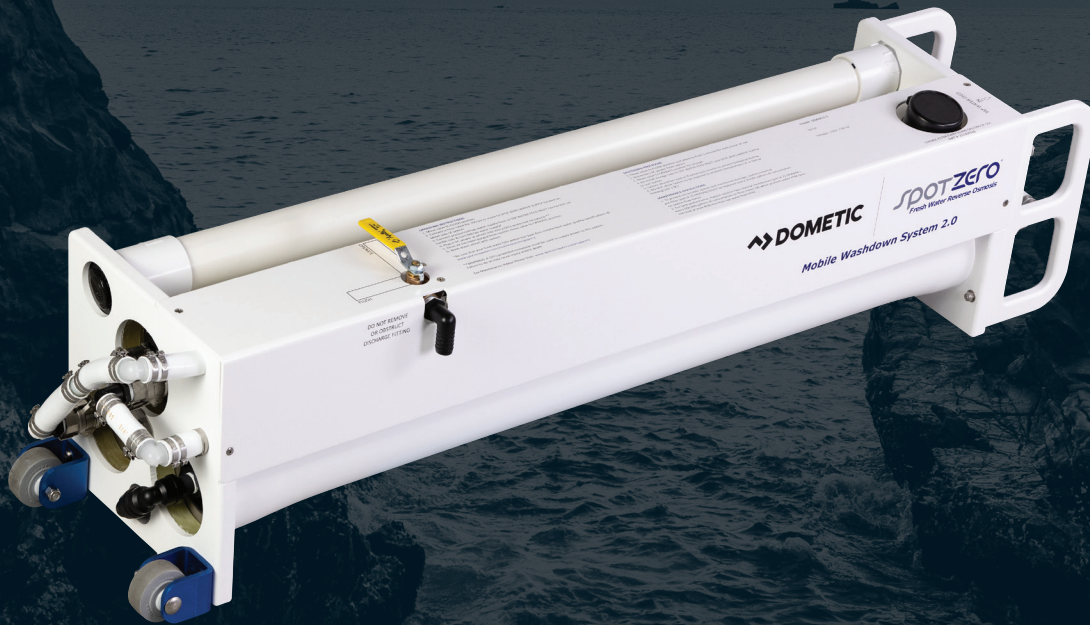
SZ MOBILE SERIES REVERSE OSMOSIS SYSTEMS

The Dometic Spot Zero mobile wash down system removes 90-99% of total dissolved solids (TDS) and up to 100% of hardness from any dock water supply.

FULLY PORTABLE
FRESHWATER RO SYSTEM

SPOT-FREE
RINSE CAPABILITY

REMOVES 90-99%
TOTAL DISSOLVED SOLIDS



115V/60Hz
230V/60Hz



DOCK WATER

Mobile living made easy.

DOMETIC

SPOTZERO

PURIFY WATER FROM YOUR ONBOARD WATERMAKER



The Spot Zero SZ Mobile Series freshwater reverse-osmosis system was designed for boats that don't have the space for a built in Spot Zero system to treat freshwater from dock supplies from all over the world with varying water quality characteristics, pressures and temperatures. And it does all of this in a compact, portable design. The SZ Mobile Series takes water that's a few hundred ppm typically down to just 10 – 20 ppm, for ultra-pure spot-free wash downs.

KEY BENEFITS

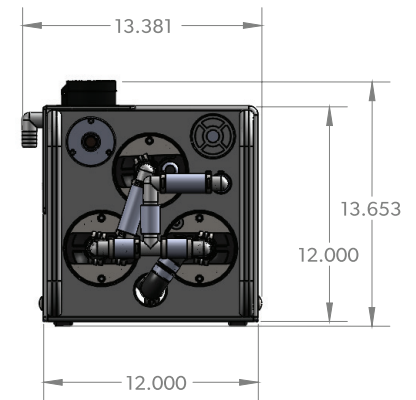
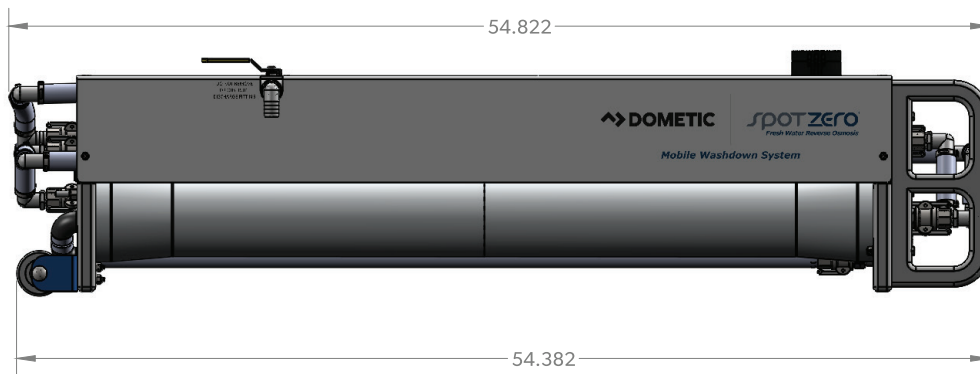
- Compact Portable Design
- Wheel and Handles for Easy Moving
- Handheld Digital TDS Meter Included
- Ultra-Low Energy Membranes
- Made in the U.S.A.

Model	MOBILE
Capacity Per Day (gal/m3)	2500-4000/9464-15142
Amps (230/220v//60/50hz)	5/4.9
Amps (115v//60hz)	10
Net Weight (lbs/kg)	150
Shipping Weight (lbs/kg)	270
Shipping Dimensions (H x W x L)(in/cm)	24 x 16 x 60/61 x 41 x 152

*Production may vary +/- 20%



DOCK WATER



1. EASY MONITORING

Flow counter for tracking water usage



2. EASY TO USE

Plug and play operation



3. EASY MAINTENANCE

Quick disconnect couplings for easy servicing