

NEW

Dometic Spot Zero ZTC Water Purifier Systems

Featuring Color Touchscreen & Remote Control via the Internet



Dometic Spot Zero ZTC 2000Z model shown

The Dometic Spot Zero system removes 95-99% of total dissolved solids (TDS) from any dockside or on-board water supply. The result is soft, pure water for a spot-free wash down without the need to hand dry.

Fill your freshwater tanks with Spot Zero water for bathing, drinking, and crystal-clear ice.

Operation is easy and reliable. Providing true one-touch operation via the built-in 7 in. color touchscreen display, proprietary PLC software monitors and regulates all system functions automatically.

Spot Zero ZTC units also provide access via smart phone, tablet, or computer anywhere in the world using Dometic's STIIC software. No other water purifier system provides this two-way interactive intelligence.

Key Benefits

- Eliminates water spots
- Removes 95-99% of total dissolved solids
- Purifies dockside water
- Removes viruses, cysts, and bacteria
- No need to chamois-dry surfaces
- Stop wasting time drying by hand
- Extends wax and paint life
- Provides pure water for bathing and drinking
- Interactive management on smart phone, tablet, or computer via the Internet
- Free app for remote monitoring with STIIC software
- Integrated 7 in. (178 mm) color touchscreen display (NEMA 4X).
- Very low power consumption
- Very low noise and vibration
- Framed unit can be disassembled for modular installation

Special Options

- Remote 7 in. (178 mm) color touchscreen display (NEMA 4X)



Mechanical overrides for double pass and concentrate



Interactive management with integrated 7 in. (178 mm) color touchscreen



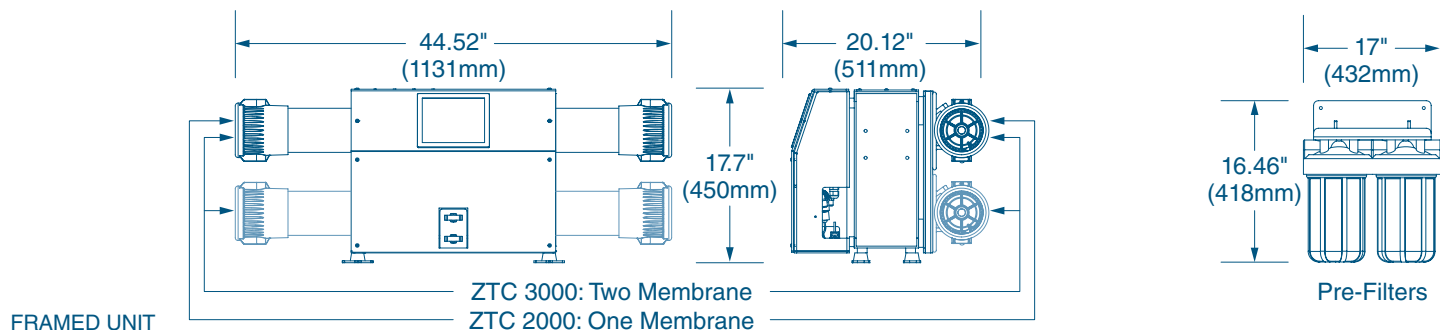
Vibration-isolation mounts reduce noise and vibration



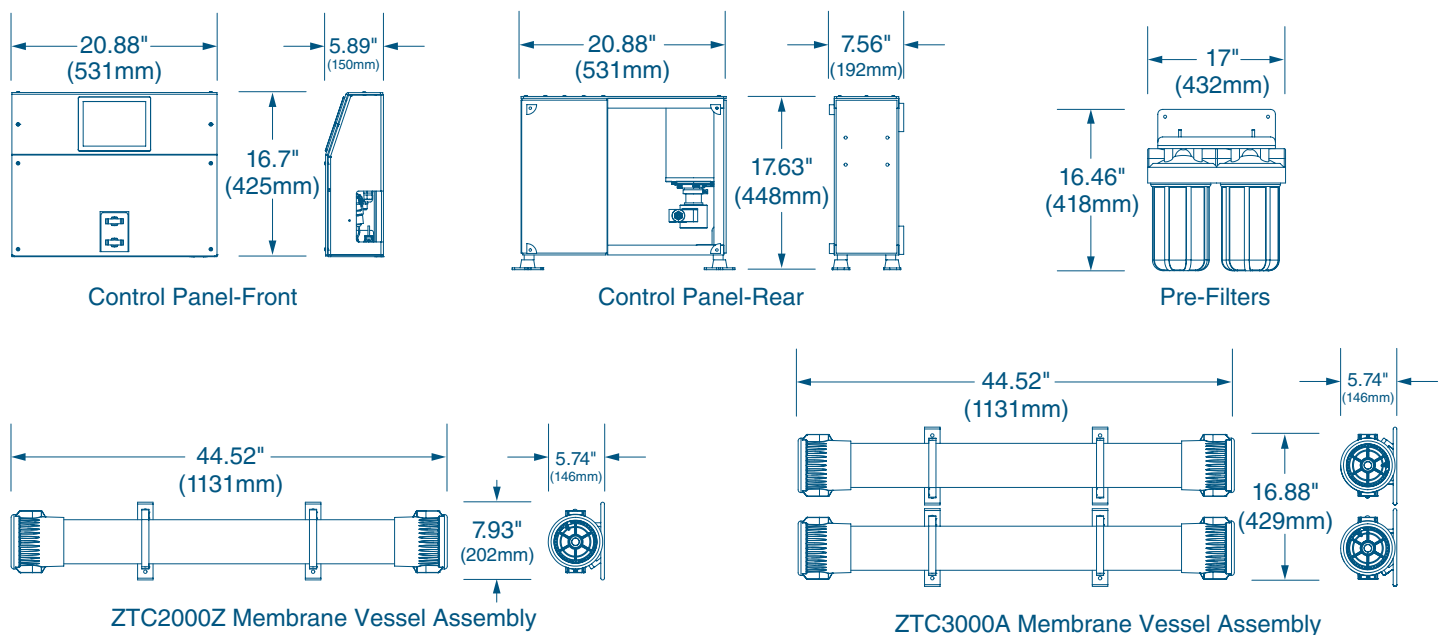
Specifications for Dometic Spot Zero ZTC Water Purifiers

| Model | ZTC2000Z | ZTC3000Z |
|---------------------------------|---|----------------------------|
| Capacity Per Hour (gal/l) | 85/321.8 | 125/473.2 |
| Capacity Per 24 Hours (gal/l) | 2,000/7,571 | 3,000/11,356 |
| Amperage | 7.5A @ 115V 4.0A @ 230V | 7.5A @ 115V 4.0A @ 230V |
| Net Weight (lbs/kg) | 113/51.3 | 133/60.3 |
| Shipping Weight (lbs/kg) | 178/80.7 | 198/89.8 |
| Shipping Dimensions (H X W X D) | 30 X 41.5 X 48.5 in. (762 X 1,055 X 1,232 mm) | |

Dimensions



MODULAR COMPONENTS



DOMETIC MARINE DIVISION
 2000 N. Andrews Ave. Ext. | Pompano Beach, FL 33069 USA | Tel. 954-973-2477 | Fax: 954-979-4414
 www.Dometic.com/Marine | MarineSales@DometicUSA.com

24/7 TECH SUPPORT FOR UNITED STATES & CANADA:
 8:00 AM to 5:00 PM Eastern Time: 800-542-2477
 After hours and weekends: 888-440-4494

INTERNATIONAL SALES & SERVICES
 Europe & the Middle East: Call +44(0)870-330-6101
 For all other areas visit our website to find your nearest distributor.

Dealer

