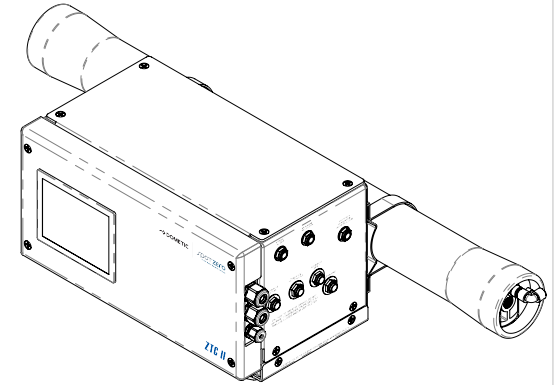
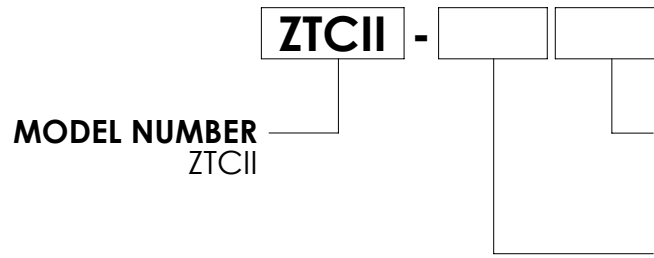


MODEL NUMBER SELECTION WORKBOOK



MODEL SHOWN
ZTCII-2000Z



VOLTAGE

Z = 230VAC (50/60Hz)
 _ = 115VAC (60Hz) LEAVE BOX BLANK

SYSTEM CAPACITY (SHEET 2)

2000 = 2000 GPD (7570 LPD) ONE MEMBRANE
 3000 = 3000 GPD (11350 LPD) TWO MEMBRANES

**NOTE: ZTCII IS ONLY AVAILABLE
IN SINGLE PHASE**

*CAPACITY		
MODEL	60 Hz	50 Hz
ZTCII-2000Z	2000 GPD (7570 LPD)	1660 GPD (6284 LPD)
ZTCII-3000Z	3000 GPD (11356 LPD)	2490 GPD (9426 LPD)

ELECTRICAL LOAD		
DESCRIPTION	AMP DRAW	
	60 Hz	50 Hz
ZTCII 230VAC	5.0	4.9
ZTCII 115VAC	10.0	N/A

UNLESS OTHERWISE SPECIFIED:

DIMENSIONS ARE IN INCHES
 TOLERANCES: ±.015
 FRACTIONAL: ±1/32
 ANGULAR: MACH: ±1/2 BEND ±1
 TWO PLACE DECIMAL ±.010
 THREE PLACE DECIMAL ±.005

	NAME	DATE
DRAWN	ES	12/10/19
CHECKED		
ENG APPR.		
MFG APPR.		
Q.A.		



ZTCII Configuration Workbook

SCALE: 1:13

DWG. NO. WD0002

SHEET 1 OF 5

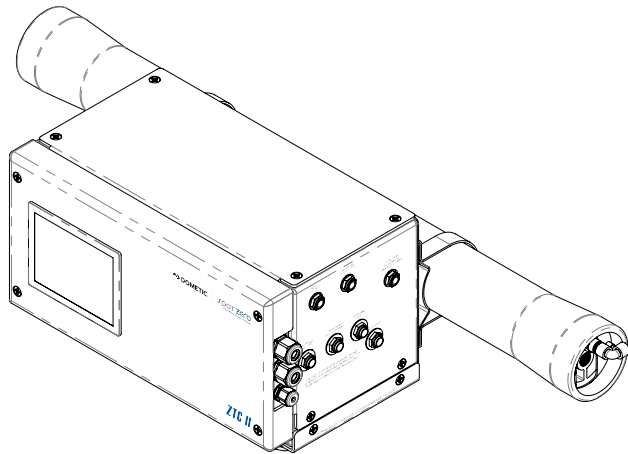
DWG. REV B

PROPRIETARY AND CONFIDENTIAL
 THE INFORMATION CONTAINED IN THIS DRAWING IS THE SOLE PROPERTY OF SPOT ZERO. ANY REPRODUCTION IN PART OR AS A WHOLE WITHOUT THE WRITTEN PERMISSION OF SPOT ZERO IS PROHIBITED.

CHOOSE SYSTEM CAPACITY

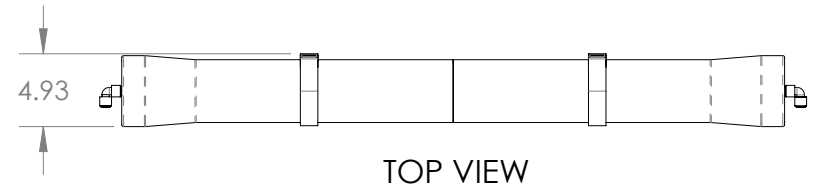
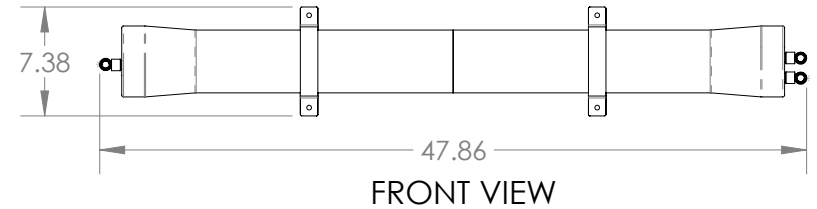
MEMBRANE VESSEL UNIT MOUNT (ADD 5.0" TO DEPTH)

P/N: ZTCII-2000#
2000 GPD (7570 LPD)

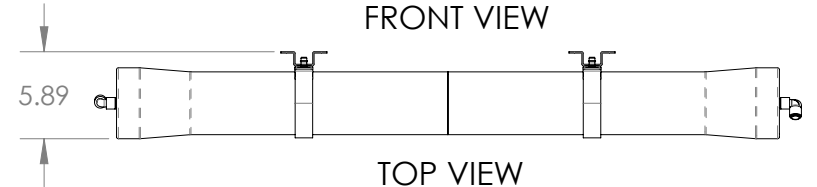
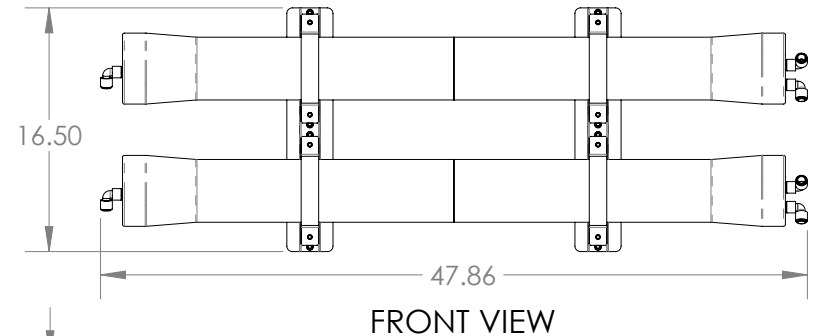


REMOTE MOUNT (MOUNTING BRACKETS INCLUDED)

P/N: ZTCII-2000#
2000 GPD (7570 LPD)



P/N: ZTCII-3000#
3000 GPD (11350 LPD)



PROPRIETARY AND CONFIDENTIAL
THE INFORMATION CONTAINED IN THIS DRAWING IS THE SOLE PROPERTY OF SPOT ZERO. ANY REPRODUCTION IN PART OR AS A WHOLE WITHOUT THE WRITTEN PERMISSION OF SPOT ZERO IS PROHIBITED.

UNLESS OTHERWISE SPECIFIED:
DIMENSIONS ARE IN INCHES
TOLERANCES: ±.015
FRACTIONAL: ±1/32
ANGULAR: MACH: ±1/2 BEND ±1
TWO PLACE DECIMAL ±.010
THREE PLACE DECIMAL ±.005

	NAME	DATE
DRAWN	ES	12/10/19
CHECKED		
ENG APPR.		
MFG APPR.		
Q.A.		

DOMETIC

SPOT ZERO
Fresh Water Reverse Osmosis

ZTCII Configuration Workbook

SCALE: 1:13

DWG. NO. WD0002

SHEET 2 OF 5

DWG. REV B

SPOT ZERO MODEL NUMBER TO DOMETIC PART NUMBER CROSS REFERENCE

ONCE THE SPOT ZERO MODEL NUMBER SELECTION PROCESS HAS BEEN COMPLETED,
FIND THE CORRESPONDING DOMETIC PART NUMBER FROM THE TABLE BELOW

SPOT ZERO MODEL SELECTION	DOMETIC CROSS NUMBER
ZTCII-2000	9610001284
ZTCII-3000	9610002708
ZTCII-2000Z	9610001169
ZTCII-3000Z	9610002709

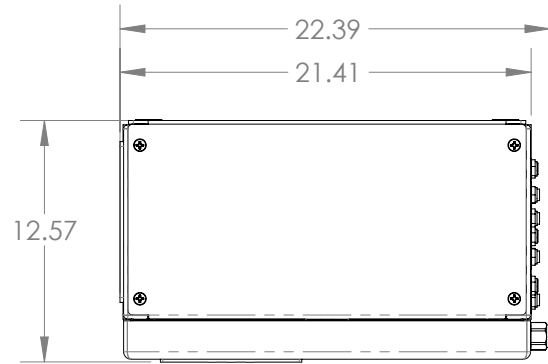
UNLESS OTHERWISE SPECIFIED:

DIMENSIONS ARE IN INCHES
TOLERANCES: ±.015
FRACTIONAL: ±1/32
ANGULAR: MACH: ±1/2 BEND ±1
TWO PLACE DECIMAL ±.010
THREE PLACE DECIMAL ±.005

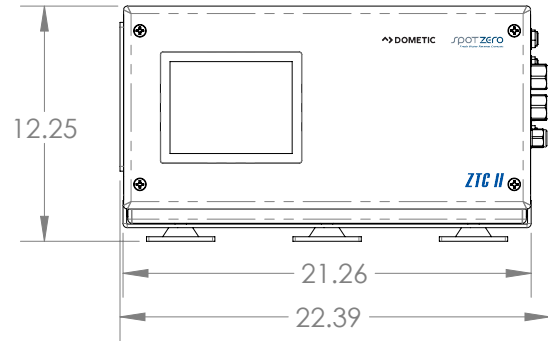
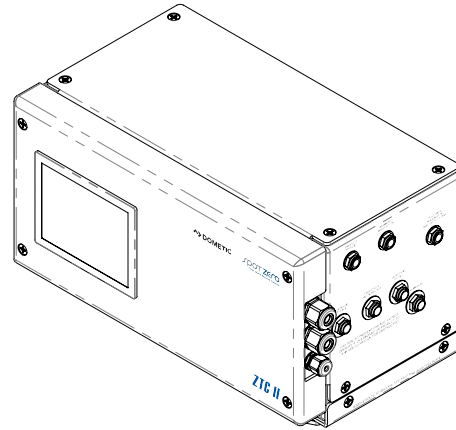
	NAME	DATE	 	
DRAWN	ES	12/10/19		
CHECKED			ZTCII Configuration Workbook	
ENG APPR.				
MFG APPR.				
Q.A.				
SCALE: 1:15		DWG. NO. WD0002	SHEET 3 OF 5	DWG. REV B

PROPRIETARY AND CONFIDENTIAL
THE INFORMATION CONTAINED IN THIS DRAWING IS THE SOLE PROPERTY OF SPOT ZERO. ANY REPRODUCTION IN PART OR AS A WHOLE WITHOUT THE WRITTEN PERMISSION OF SPOT ZERO IS PROHIBITED.

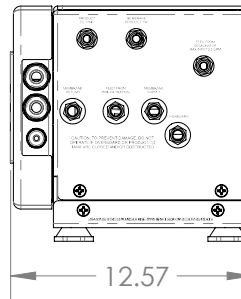
DIMENSIONAL DRAWING



TOP VIEW

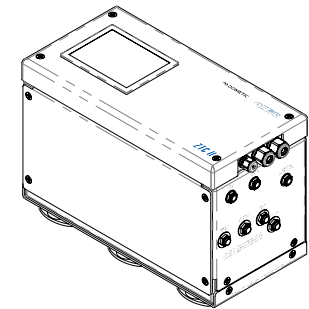


FRONT VIEW



SIDE VIEW

TOP MOUNTED VERSION AVAILABLE
UPON REQUEST. CONTACT YOUR
DEALER FOR MORE INFORMATION



PROPRIETARY AND CONFIDENTIAL
THE INFORMATION CONTAINED IN THIS DRAWING IS THE SOLE PROPERTY OF SPOT ZERO. ANY REPRODUCTION IN PART OR AS A WHOLE WITHOUT THE WRITTEN PERMISSION OF SPOT ZERO IS PROHIBITED.

UNLESS OTHERWISE SPECIFIED:
DIMENSIONS ARE IN INCHES
TOLERANCES: ±.015
FRACTIONAL: ±1/32
ANGULAR: MACH ±1/2 BEND ±1
TWO PLACE DECIMAL ±.010
THREE PLACE DECIMAL ±.005

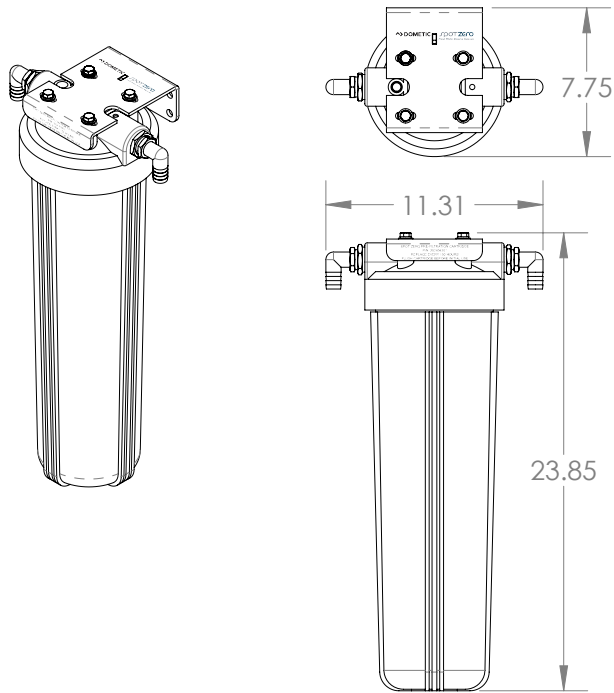
	NAME	DATE
DRAWN	ES	12/10/19
CHECKED		
ENG APPR.		
MFG APPR.		
Q.A.		



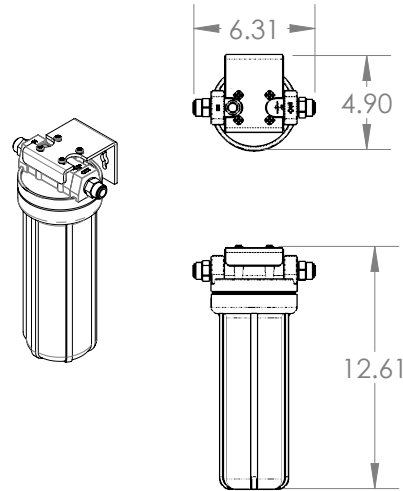
ZTCII Configuration Workbook

STANDARD EQUIPMENT

COMMERCIAL PRE-FILTER

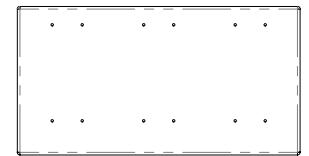
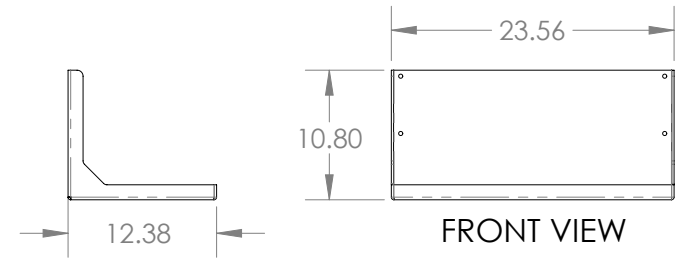
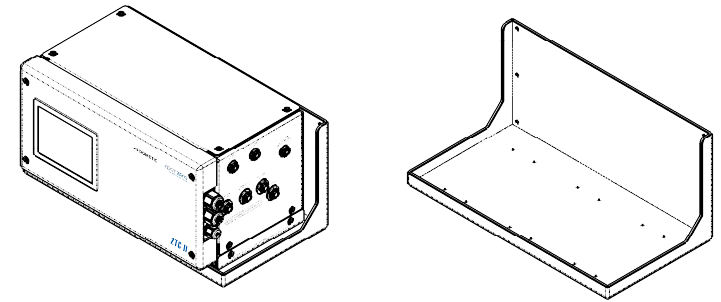


BACTERIOSTATIC REMINERALIZER

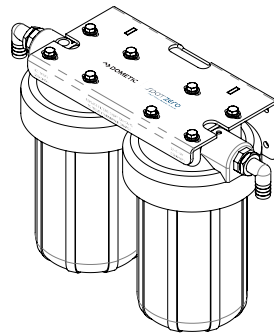
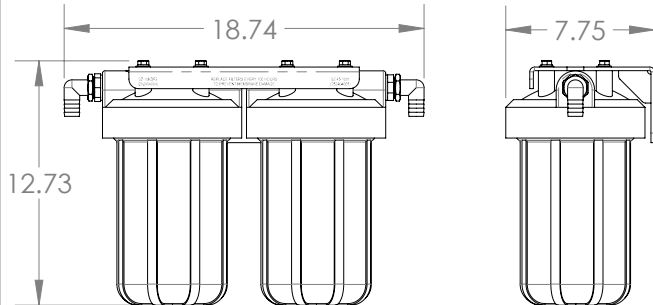


OPTIONAL EQUIPMENT

WALL BRACKET P/N: 4471004179



SHORT PRE-FILTER OPTION AVAILABLE UPON REQUEST P/N AE0000



UNLESS OTHERWISE SPECIFIED:

DIMENSIONS ARE IN INCHES
TOLERANCES: ±.015
FRACTIONAL: ±1/32
ANGULAR: MACH: ±1/2 BEND ±1
TWO PLACE DECIMAL ±.010
THREE PLACE DECIMAL ±.005

	NAME	DATE
DRAWN	ES	12/10/19
CHECKED		
ENG APPR.		
MFG APPR.		
Q.A.		

DOMETIC

SPOT ZERO
Fresh Water Reverse Osmosis

ZTCII Configuration Workbook

SCALE: 1:10

DWG. NO. WD0002

SHEET 5 OF 5

DWG. REV B

PROPRIETARY AND CONFIDENTIAL
THE INFORMATION CONTAINED IN THIS DRAWING IS THE SOLE PROPERTY OF SPOT ZERO. ANY REPRODUCTION IN PART OR AS A WHOLE WITHOUT THE WRITTEN PERMISSION OF SPOT ZERO IS PROHIBITED.