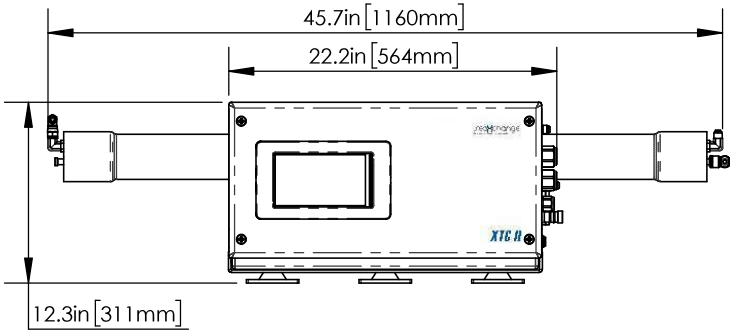


XTCII CONFIGURATIONS

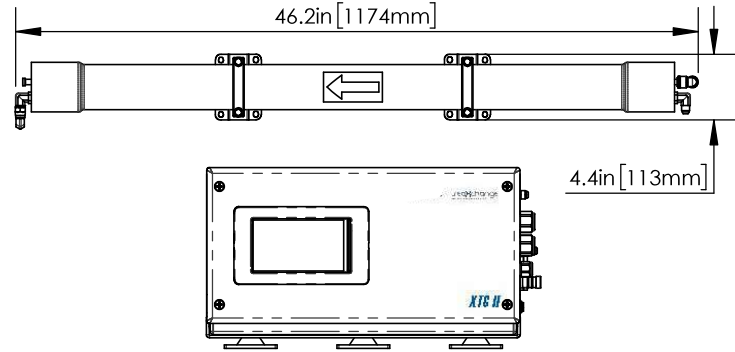
XTCII 6001Z

600 GPD (2271LPD) / 25 GPH (95LPH)
P/N:9610001170

LOCALLY MOUNTED OPTIONS



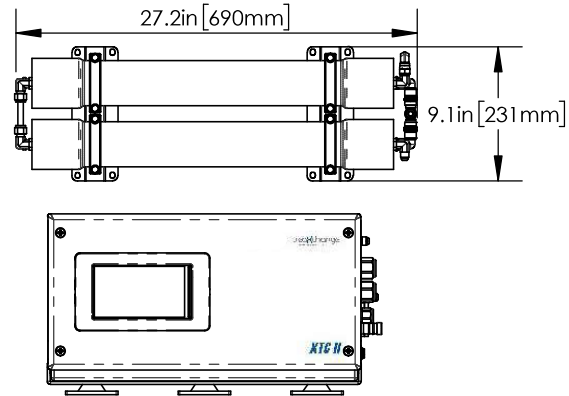
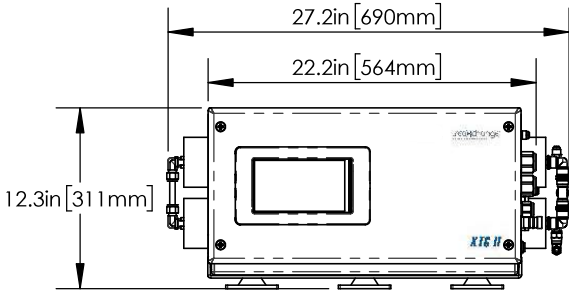
REMOTE MOUNT OPTIONS



*Remote Mount Hose Kit Required P/N:252404290

XTCII 6002Z

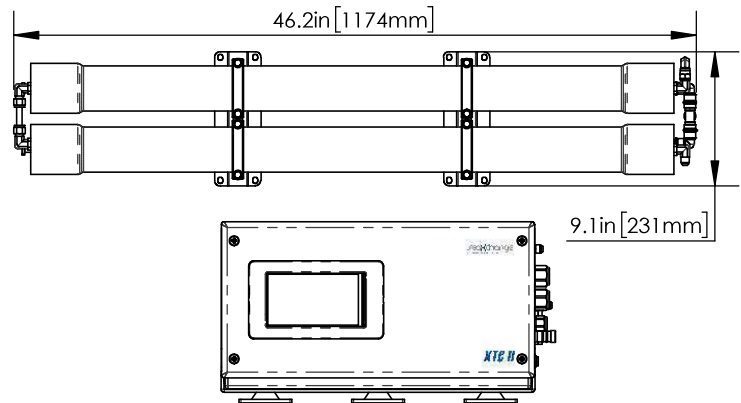
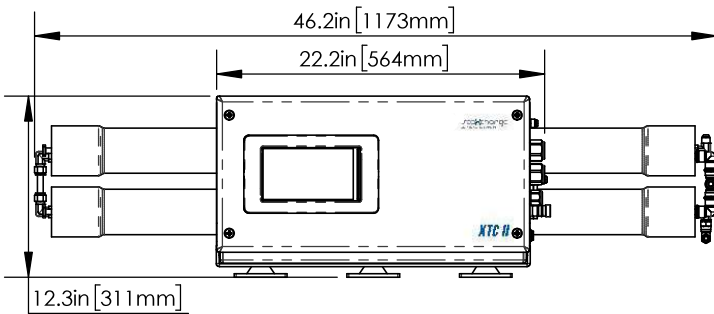
600 GPD (2271LPD) / 25GPH (95LPH)
P/N: 9610002710



*Remote Mount Hose Kit Required P/N:252404290

XTCII 1200Z

1200 GPD (4542LPD) / 50 GPH (189LPH)
P/N:9610001403

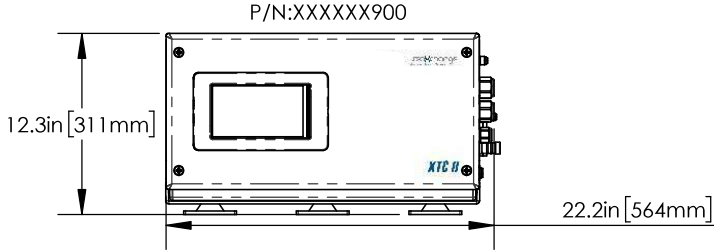


*Remote Mount Hose Kit Required P/N:252404290

**THE FOLLOWING CAPACITIES ARE ONLY OFFERED IN REMOTE MOUNT
OPTIONS: 900GPD,1800GPD,2200GPD**

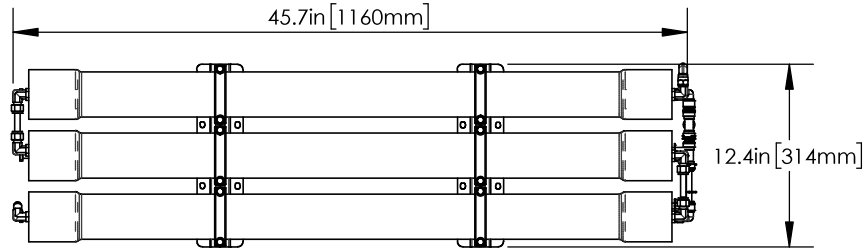
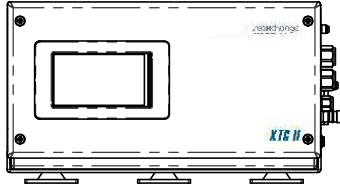
XTCII 900Z

900 GPD (3407LPD) 38 GPH (142LPH)
P/N:XXXXXX900



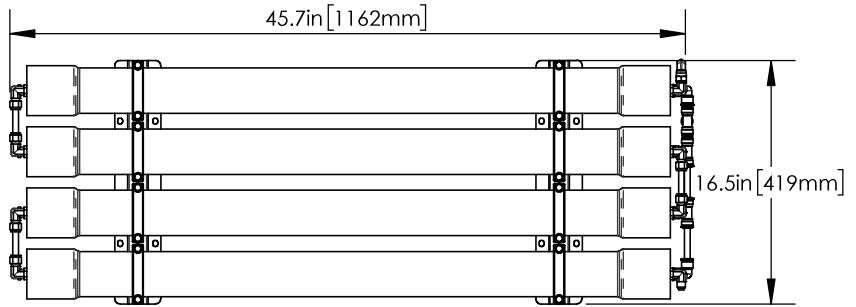
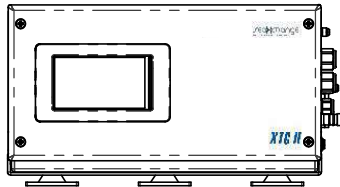
XTCII 1800Z

1800 GPD (6814LPD) / 75GPH (284LPH)
P/N:9610001171



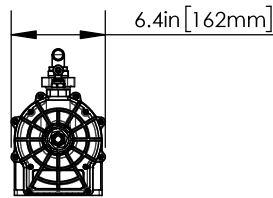
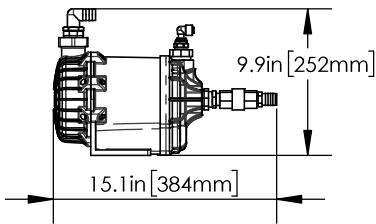
XTCII 2200Z

2200 GPD (8328LPD) 92GPH (347LPH)
P/N:9610001562



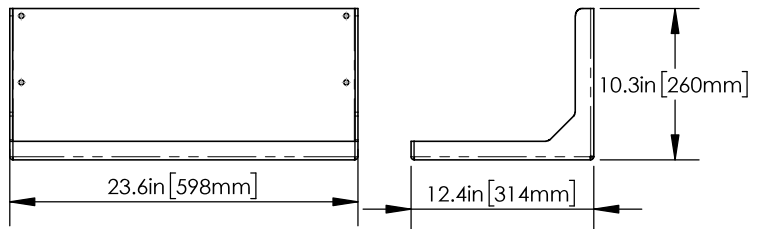
STANDARD EQUIPMENT

SW BOOST PUMP



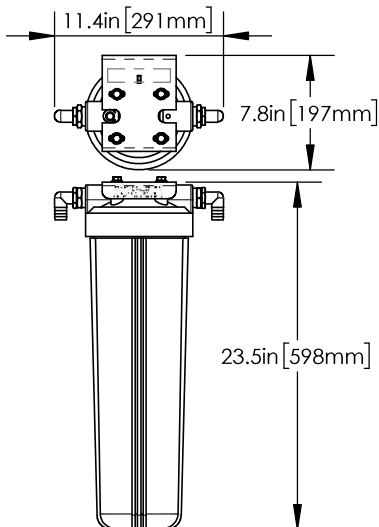
WALL BRACKET

SUPPORTS MODULAR OR STACKED UNITS P/N:4471004179



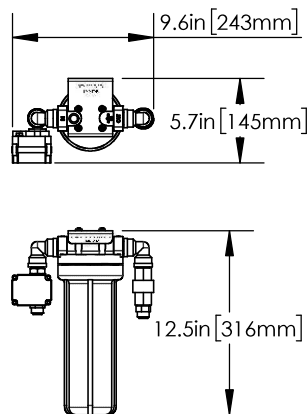
SW COMMERCIAL PRE-FILTER

4.5" x 20" HOUSING



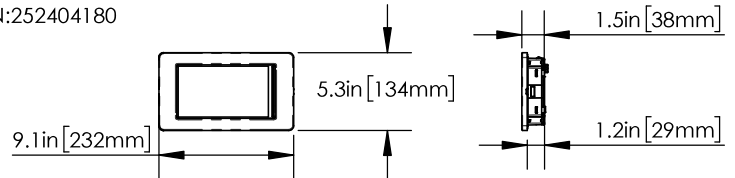
FRESH WATER FLUSH

2.5" X 10" HOUSING



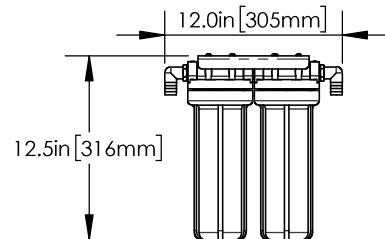
REMOTE MOUNT 7-INCH TOUCHSCREEN

P/N:252404180

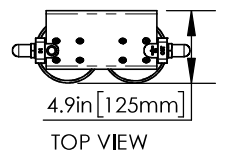


SHORT SW PRE-FILTER

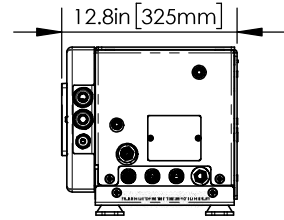
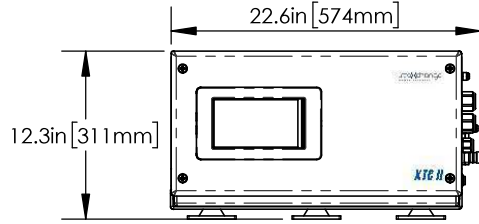
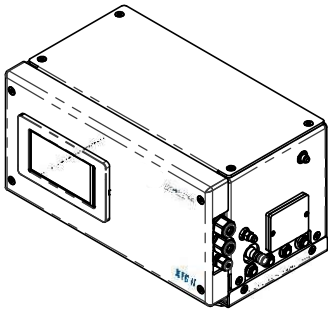
DOUBLE 2.5" X 10" HOUSING



NOTE: NO UPCHARGE IF SPECIFIED WHEN PLACING ORDER

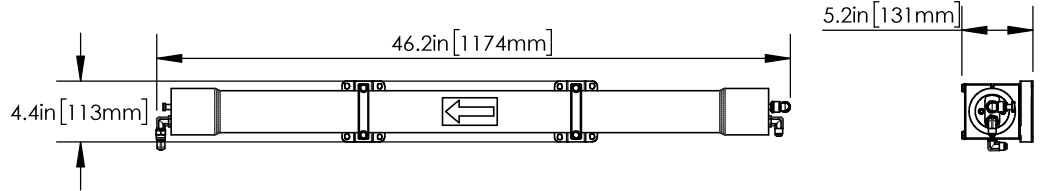


SUPPLEMENTAL XTCII DIMENSIONS



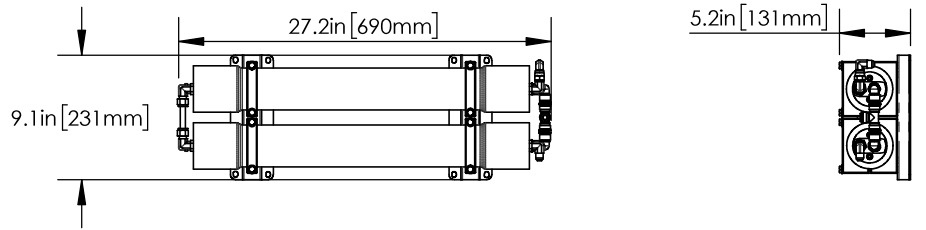
XTCII 6001 MEMBRANE VESSELS

600 GPD (2271LPD) / 25 GPH (95LPH)



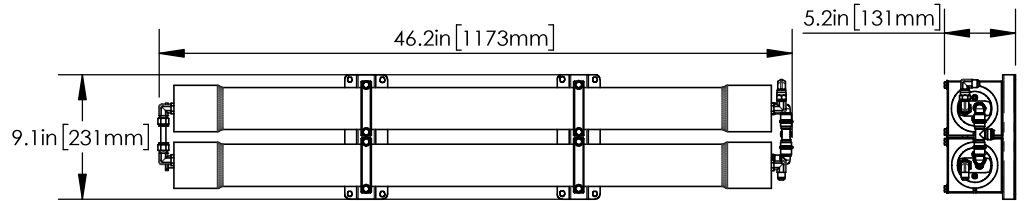
XTCII 6002 MEMBRANE VESSELS

600 GPD (2271LPD) / 25GPH (95LPH)



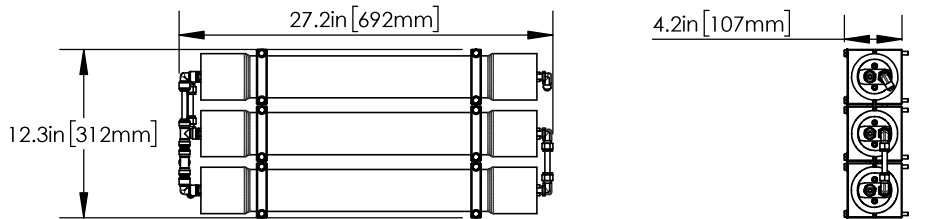
XTCII 1200 MEMBRANE VESSELS

1200 GPD (4542LPD) / 50 GPH (189LPH)



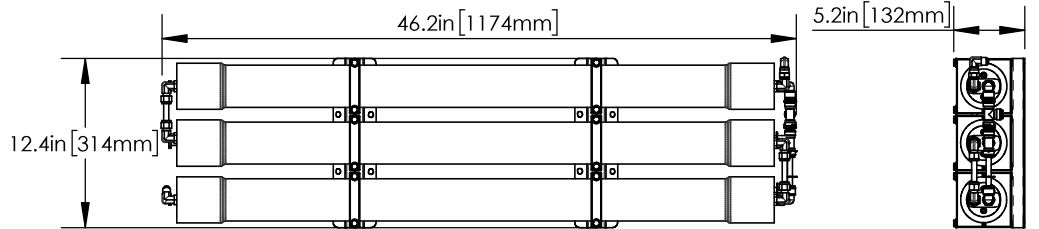
XTCII 900 MEMBRANE VESSELS

900 GPD (3407LPD) 38 GPH (142LPH)



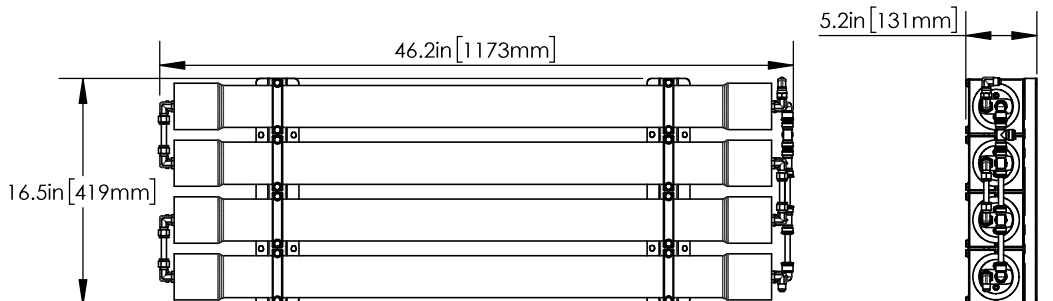
XTCII 1800 MEMBRANE VESSELS

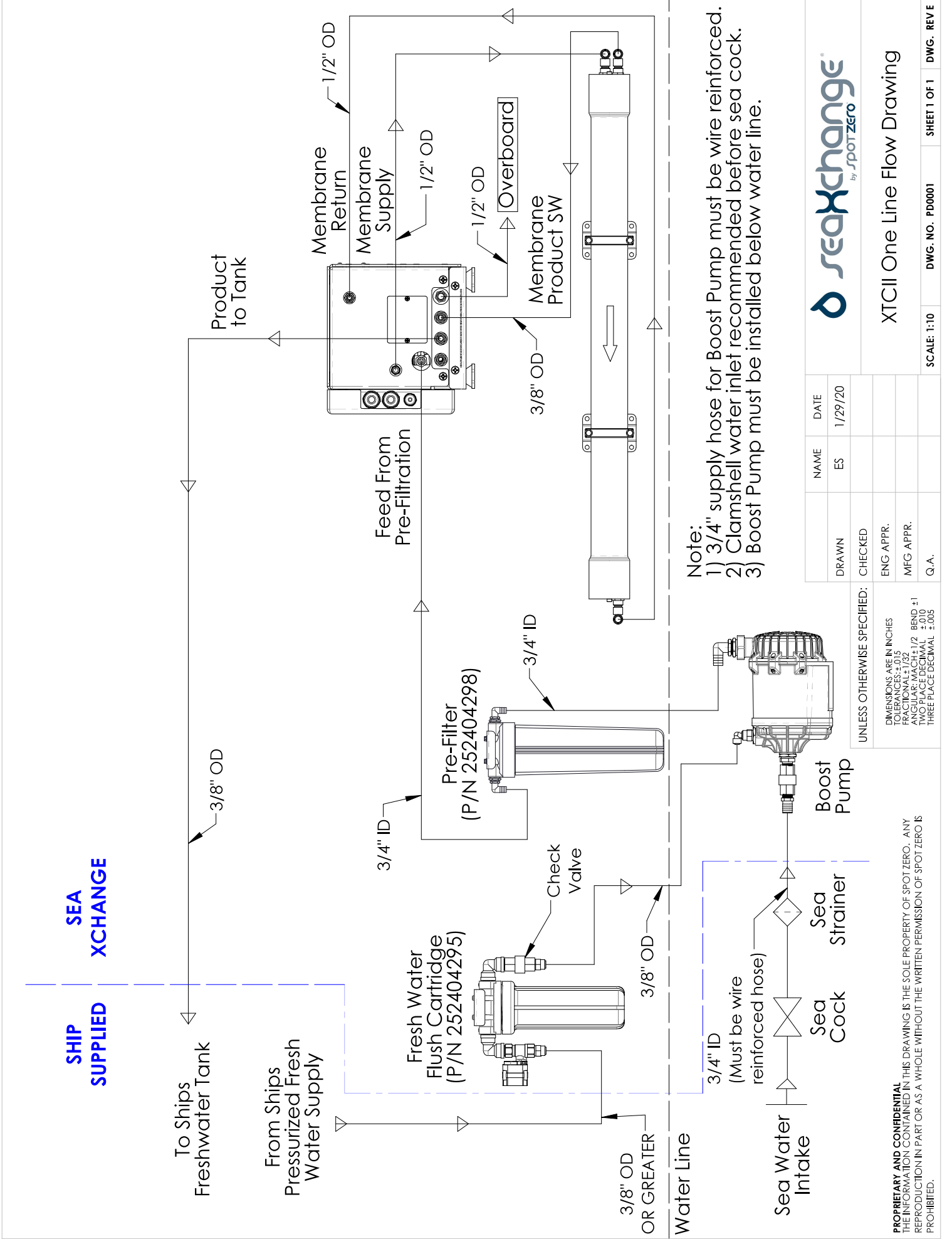
1800 GPD (6814LPD) / 75GPH (284LPH)



XTCII 2200 MEMBRANE VESSELS

2200 GPD (8328LPD) 92GPH (347LPH)





Note:
 1) 3/4" supply hose for Boost Pump must be wire reinforced.
 2) Clamshell water inlet recommended before sea cock.
 3) Boost Pump must be installed below water line.

NAME	DATE
ES	1/29/20

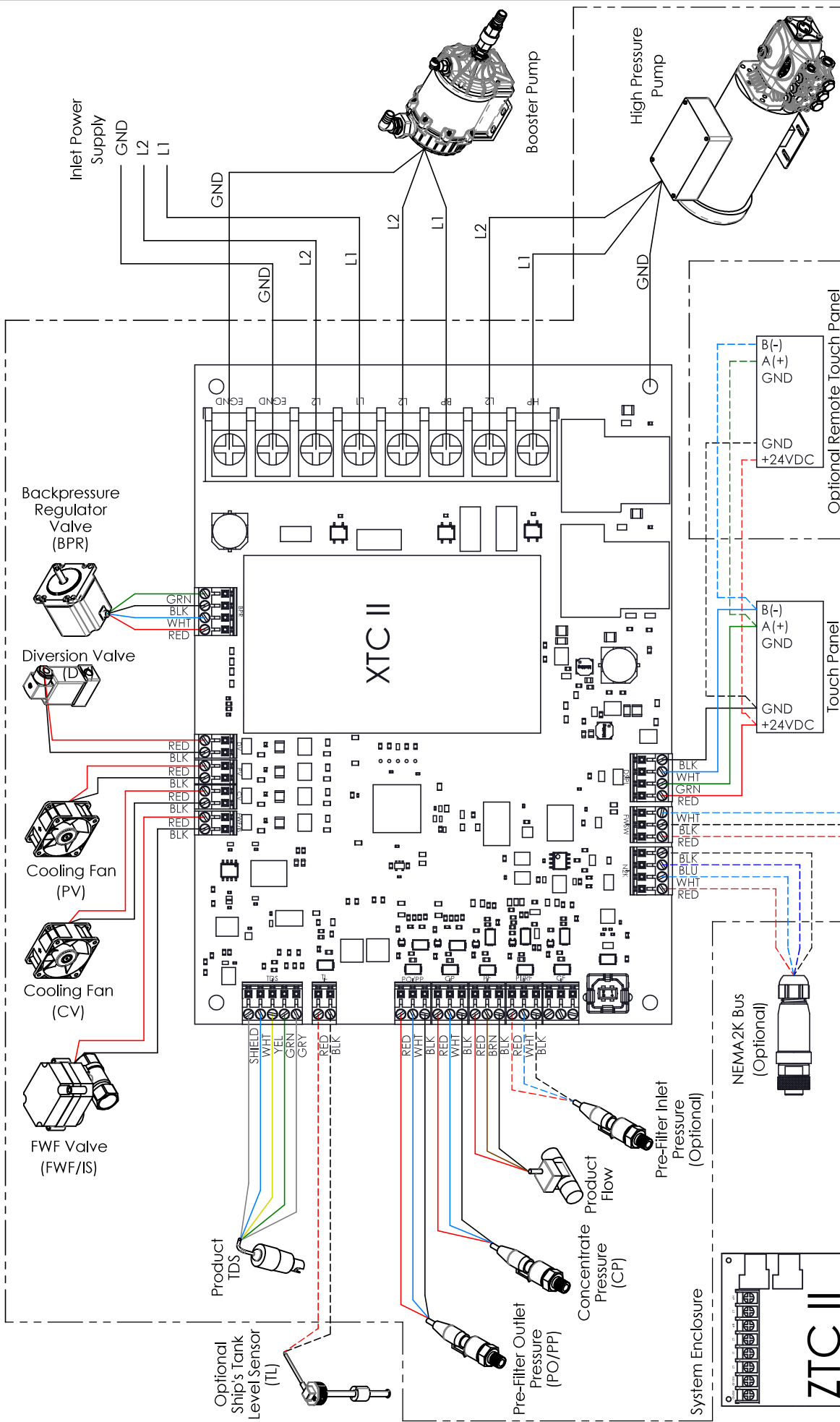
DRAWN	CHECKED	ENG APPR.	MFG APPR.	Q.A.

UNLESS OTHERWISE SPECIFIED:	
DIMENSIONS ARE IN INCHES	
TOLERANCES:	
FRACTIONAL: ±1/32	
ANGULAR: MACH ±1/2 BEND ±1	
TWO PLACE DECIMAL ±0.10	
THREE PLACE DECIMAL ±0.05	

PROPRIETARY AND CONFIDENTIAL
 THE INFORMATION CONTAINED IN THIS DRAWING IS THE SOLE PROPERTY OF SPOT ZERO. ANY REPRODUCTION IN PART OR AS A WHOLE WITHOUT THE WRITTEN PERMISSION OF SPOT ZERO IS PROHIBITED.



XTCII One Line Flow Drawing



ZTC II Wiring Diagram

NAME	DATE
ES	1/27/2020

DRAWN	CHECKED	ENG APPR.	MFG APPR.

UNLESS OTHERWISE SPECIFIED:	
DIMENSIONS ARE IN INCHES	
TOLERANCES	
FRACTIONAL: ±1/32	
ANGULAR: MACH: ±1/2 BEND: ±1	
TWO PLACE DECIMAL: ±0.01	
THREE PLACE DECIMAL: ±0.005	

PROPRIETARY AND CONFIDENTIAL
 THE INFORMATION CONTAINED IN THIS DRAWING IS THE SOLE PROPERTY OF SPOT ZERO. ANY REPRODUCTION IN PART OR AS A WHOLE WITHOUT THE WRITTEN PERMISSION OF SPOT ZERO IS PROHIBITED.