

SPOT ZERO®

ZTCII CONFIGURATIONS

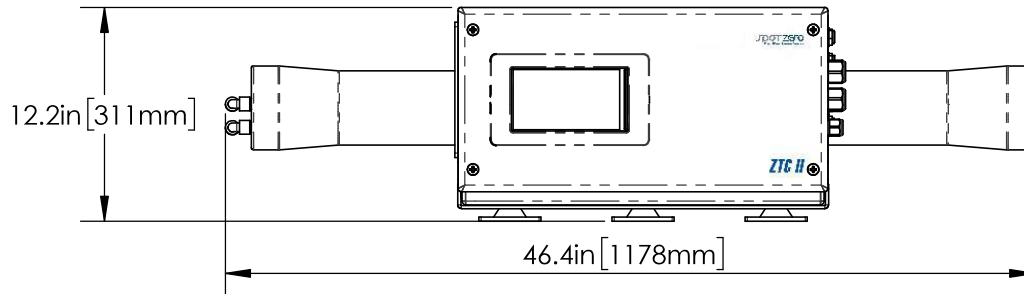
ZTCII 2000

2000 GPD (7571 LPD) / 83 GPH (315 LPH)

115V AC P/N:9610001284

230V AC P/N:9610001169

LOCALLY MOUNTED



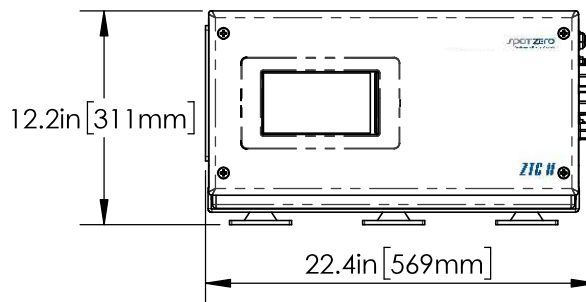
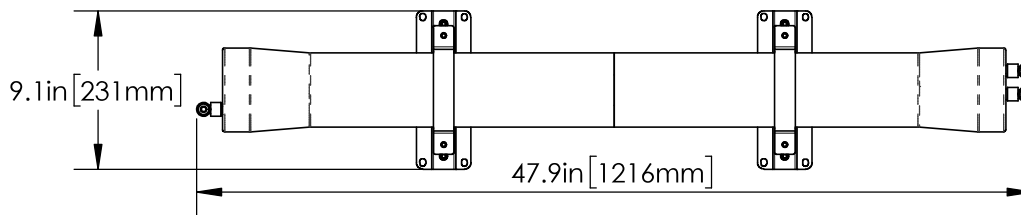
ZTCII 2000

2000 GPD (7571 LPD) / 83 GPH (315 LPH)

115V AC P/N:9610001284

230V AC P/N:9610001169

REMOTE MOUNTED



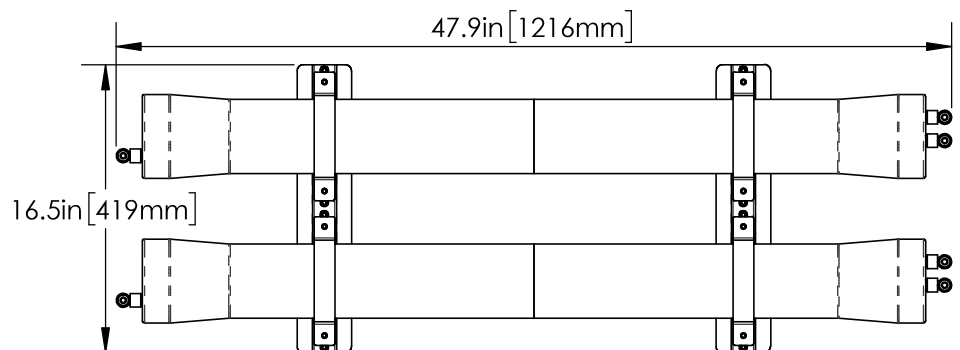
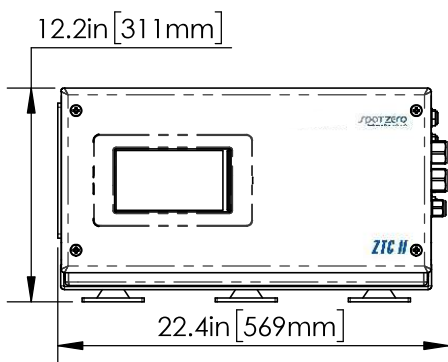
ZTCII 3000

3000 GPD (11356 LPD) / 125 GPH (473 LPH)

115V AC P/N:9610002708

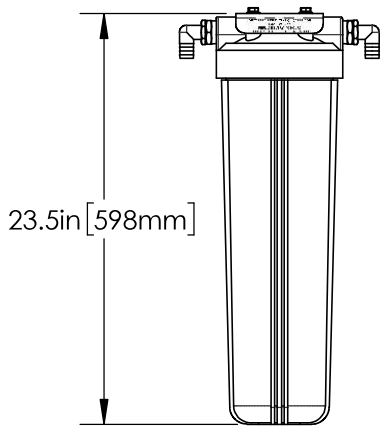
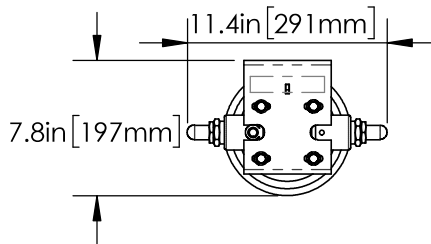
230V AC P/N:9610002709

REMOTE MOUNT ONLY

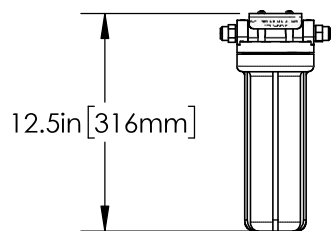
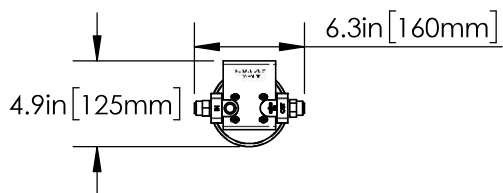


STANDARD EQUIPMENT

COMMERCIAL PRE-FILTER



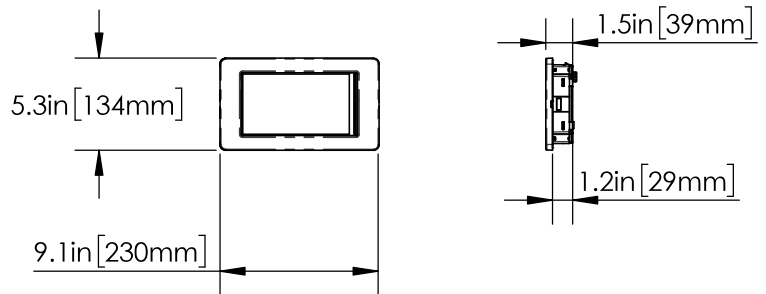
BACTERIOSTATIC REMINERALIZER & pH NEUTRALIZER



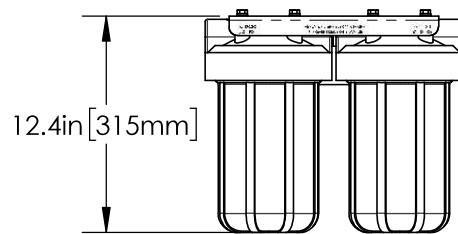
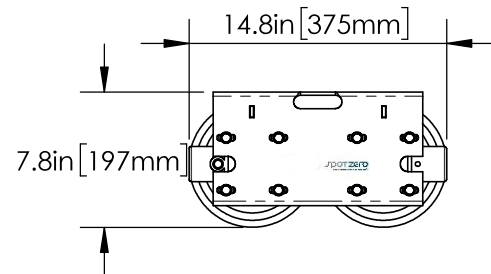
OPTIONAL EQUIPMENT

REMOTE MOUNT 7 -INCH TOUCHSCREEN

P/N:252404181

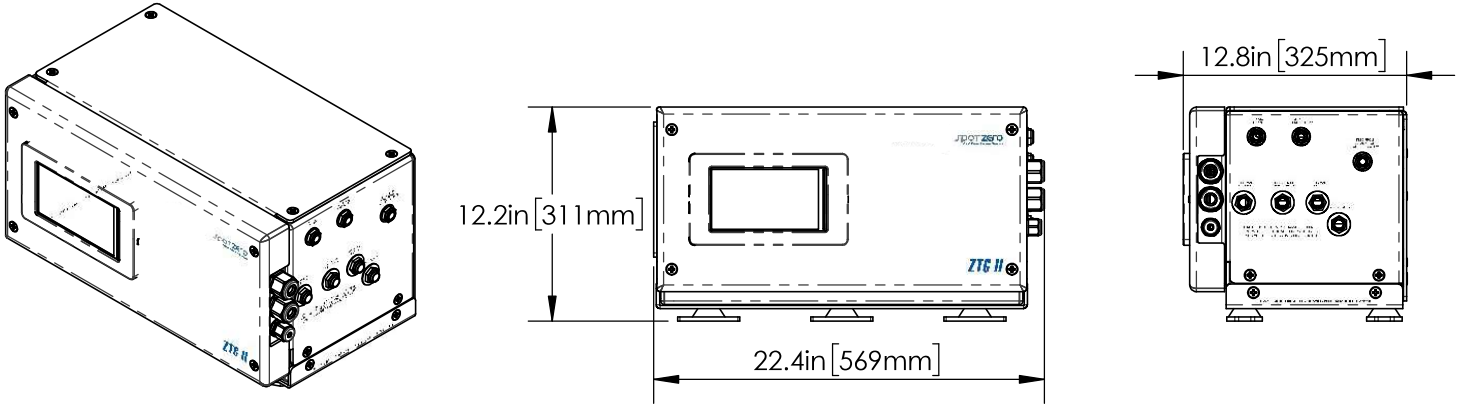


SHORT PRE-FILTER

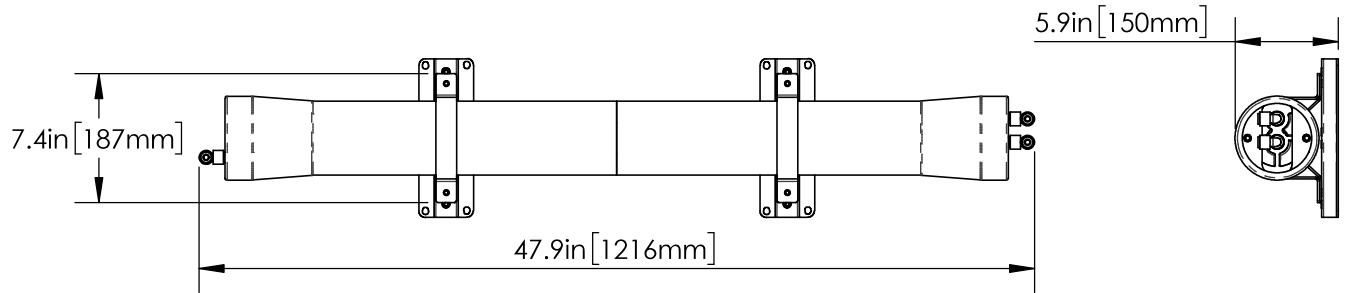


NOTE: NO UPCHARGE IF SPECIFIED WHEN PLACING ORDER

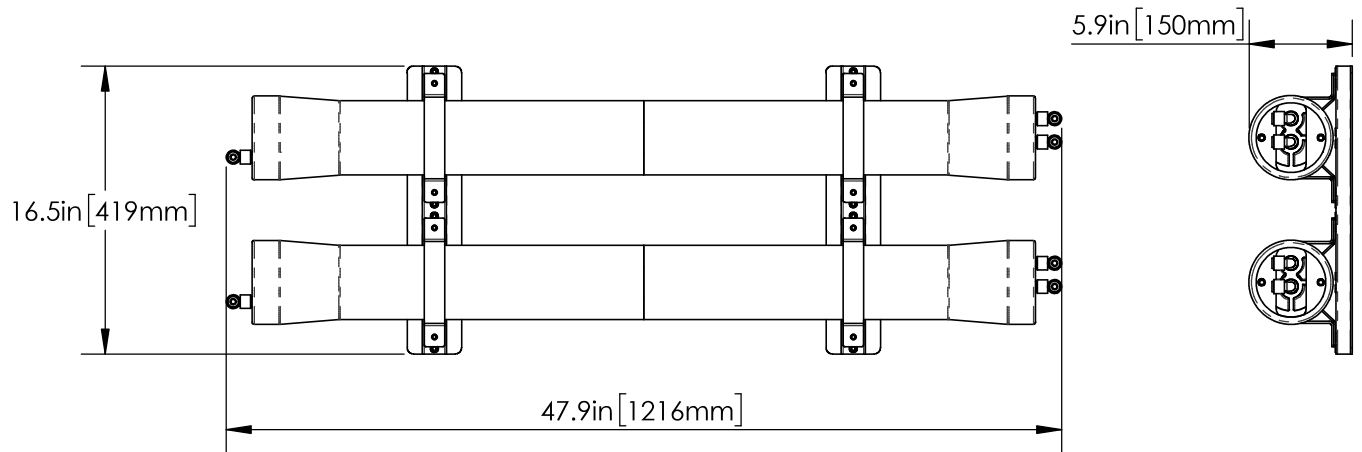
SUPPLEMENTAL ZTCII DIMENSIONS

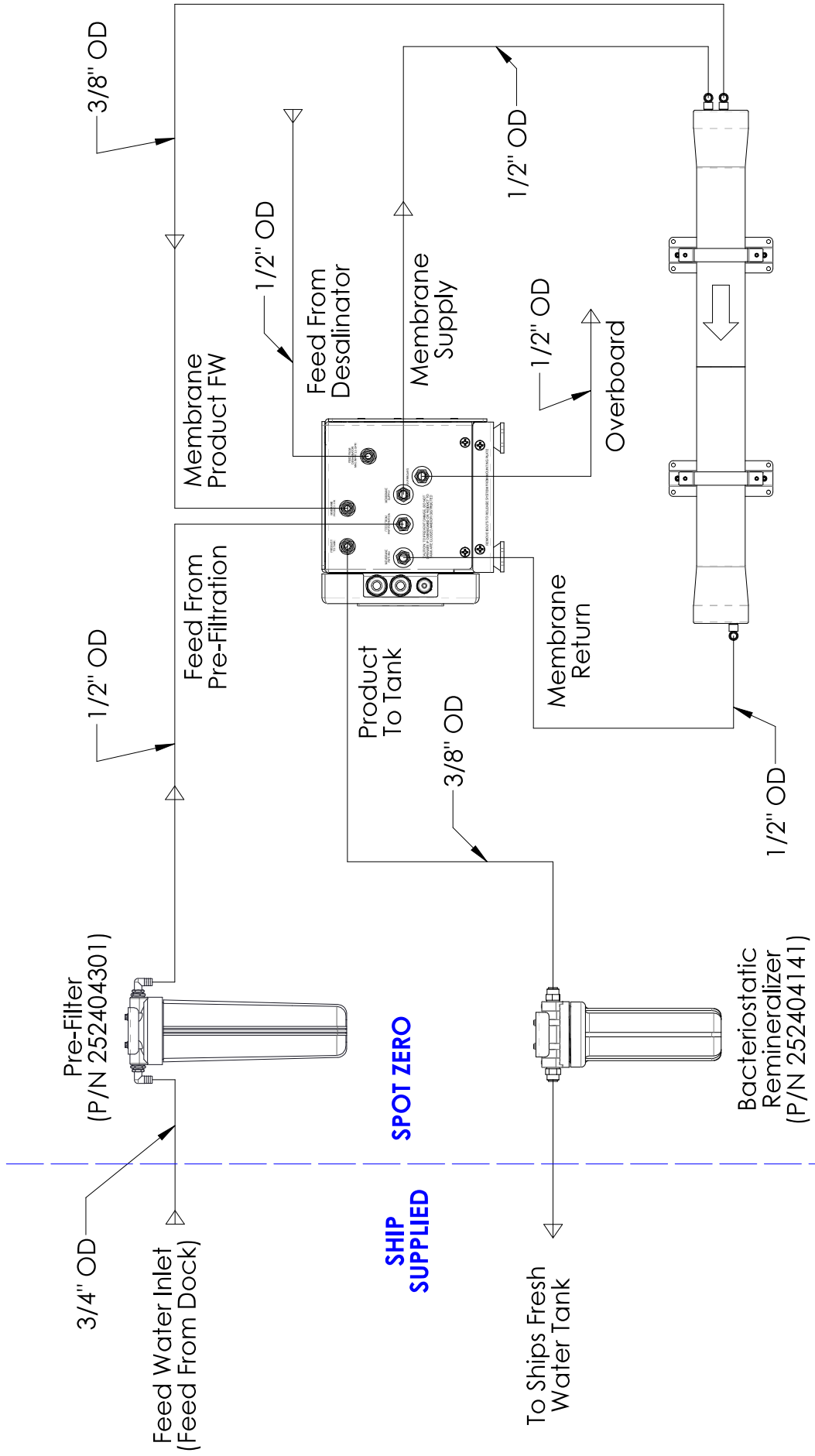


ZTCII 2000 MEMBRANE VESSEL 2000 GPD (7571 LPD) / 83 GPH (315 LPH)



ZTCII 3000 MEMBRANE VESSELS 3000 GPD (11356 LPD) / 125 GPH (473 LPH)





Notes:

- 1) The tubing or piping used for the inlet of the feed water is 3/4" I.D.
- 2) The tubing or piping used for the discharge of the concentrate is 1/2" O.D. and should be run to an open overboard in a free and unrestricted manner.
- 3) A pressure relief valve is recommended in the "Feed from Desalinator" set at 8 psi.

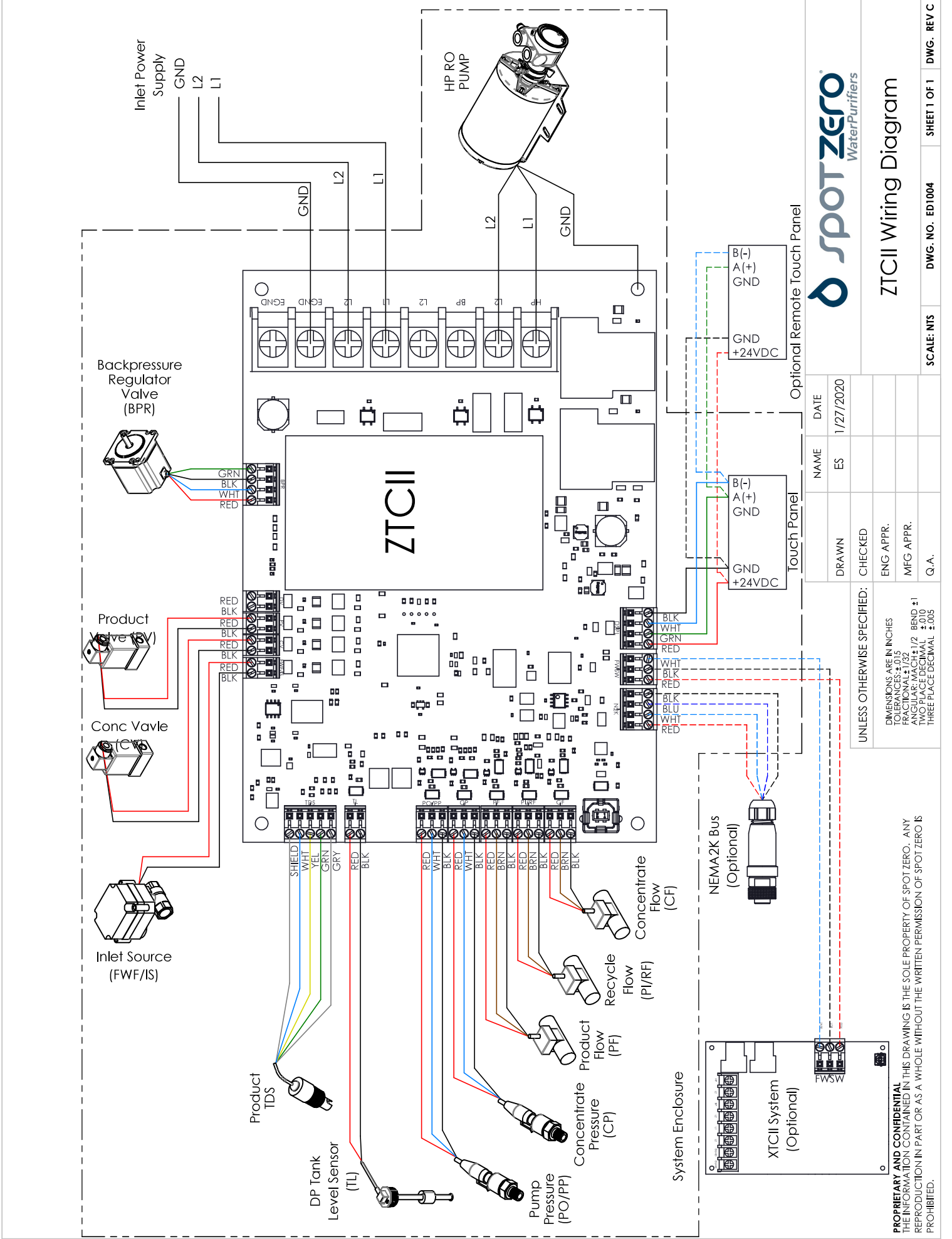


ZTCII One Line Flow Drawing

| NAME | DATE |
|-----------|---------|
| ES | 1/14/20 |
| DRAWN | |
| CHECKED | |
| ENG APPR. | |
| MFG APPR. | |
| Q.A. | |

UNLESS OTHERWISE SPECIFIED:
 DIMENSIONS ARE IN INCHES
 TOLERANCES:
 FRACTIONAL: ±1/32
 ANGULAR: MACH ±1/2 BEND ±1
 TWO PLACE DECIMAL ±0.01
 THREE PLACE DECIMAL ±0.005

PROPRIETARY AND CONFIDENTIAL
 THE INFORMATION CONTAINED IN THIS DRAWING IS THE SOLE PROPERTY OF SPOT ZERO. ANY REPRODUCTION IN PART OR AS A WHOLE WITHOUT THE WRITTEN PERMISSION OF SPOT ZERO IS PROHIBITED.



ZTCII Wiring Diagram

| NAME | DATE |
|------|-----------|
| ES | 1/27/2020 |

| DRAWN | CHECKED | ENG APPR. | MFG APPR. | Q.A. |
|-------|---------|-----------|-----------|------|
| | | | | |

| SCALE: NTS | DWG. NO. ED1004 | SHEET 1 OF 1 | DWG. REV C |
|------------|-----------------|--------------|------------|
| | | | |

UNLESS OTHERWISE SPECIFIED:
 DIMENSIONS ARE IN INCHES
 TOLERANCES:
 FRACTIONAL: ±1/32
 ANGULAR: MACH: ±1/2 BEND ±1
 TWO PLACE DECIMAL ±0.01
 THREE PLACE DECIMAL ±0.005

PROPRIETARY AND CONFIDENTIAL
 THE INFORMATION CONTAINED IN THIS DRAWING IS THE SOLE PROPERTY OF SPOT ZERO. ANY
 REPRODUCTION IN PART OR AS A WHOLE WITHOUT THE WRITTEN PERMISSION OF SPOT ZERO IS
 PROHIBITED.