

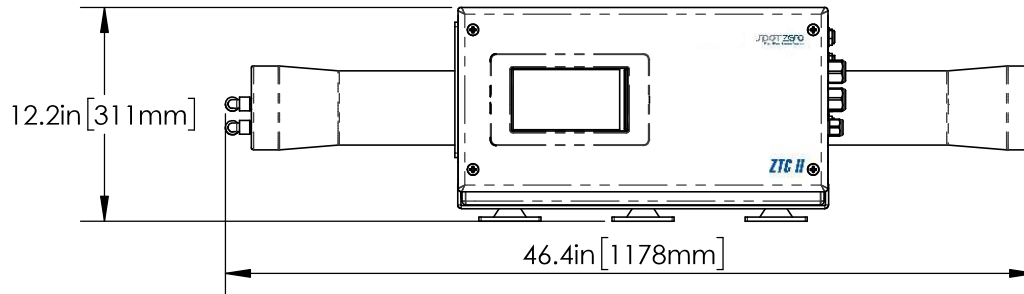


## ZTCII CONFIGURATIONS

### ZTCII 2000

2000 GPD (7571 LPD) / 83 GPH (315 LPH)  
115V AC P/N:9610001284  
230V AC P/N:9610001169

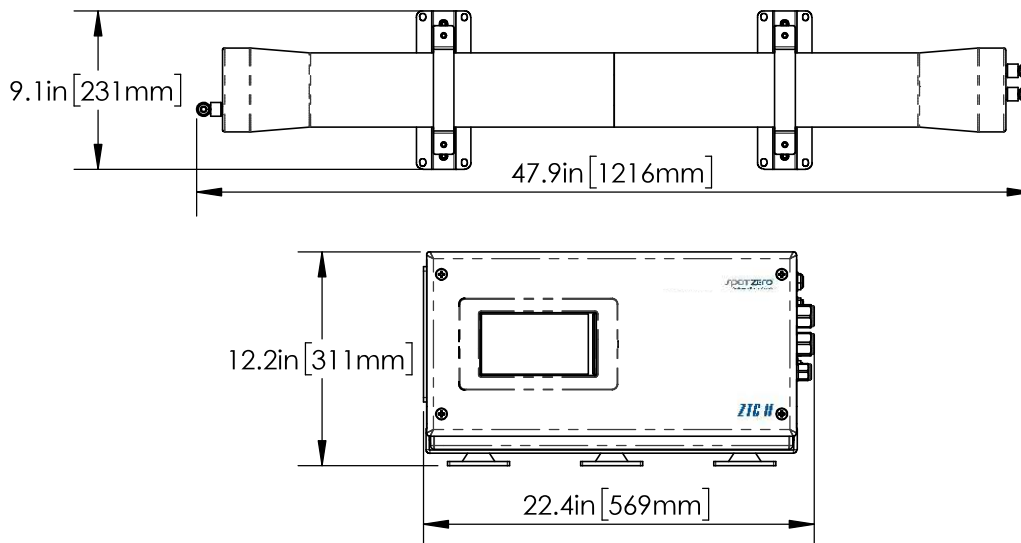
LOCALLY MOUNTED



### ZTCII 2000

2000 GPD (7571 LPD) / 83 GPH (315 LPH)  
115V AC P/N:9610001284  
230V AC P/N:9610001169

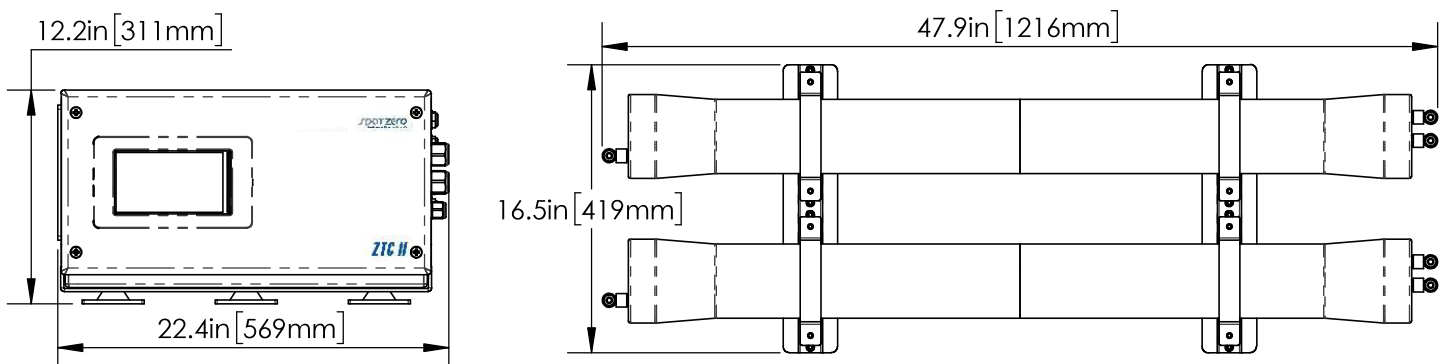
REMOTE MOUNTED



### ZTCII 3000

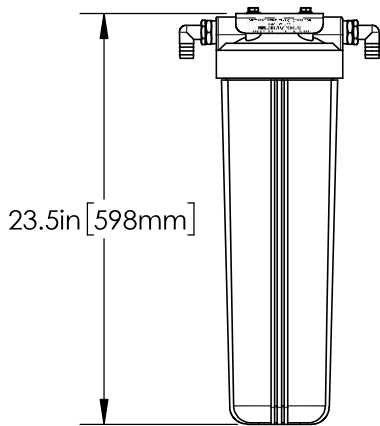
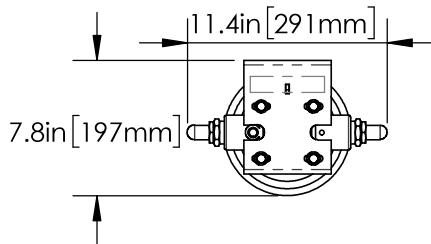
3000 GPD (11356 LPD) / 125 GPH (473 LPH)  
115V AC P/N:9610002708  
230V AC P/N:9610002709

REMOTE MOUNT ONLY

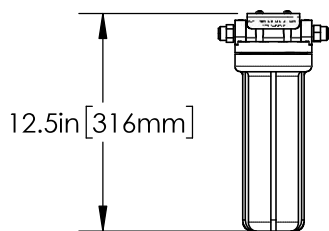
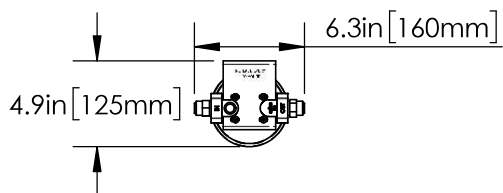


## STANDARD EQUIPMENT

### COMMERCIAL PRE-FILTER



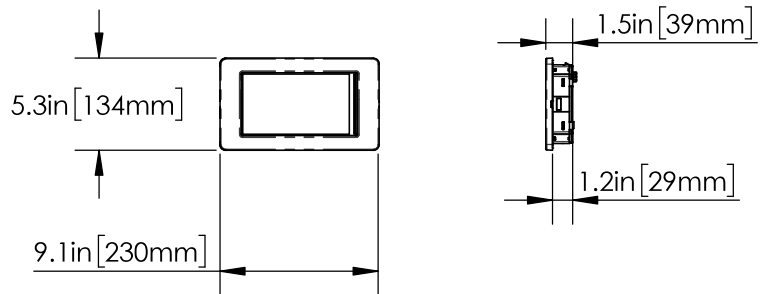
### BACTERIOSTATIC REMINERALIZER & pH NEUTRALIZER



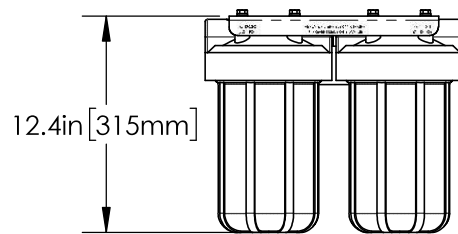
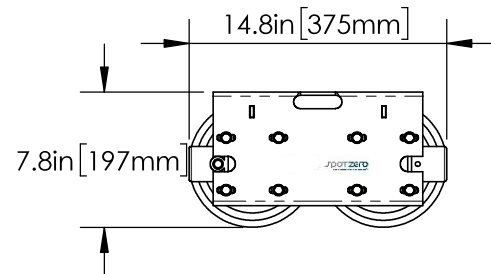
## OPTIONAL EQUIPMENT

### REMOTE MOUNT 7 -INCH TOUCHSCREEN

P/N:252404181

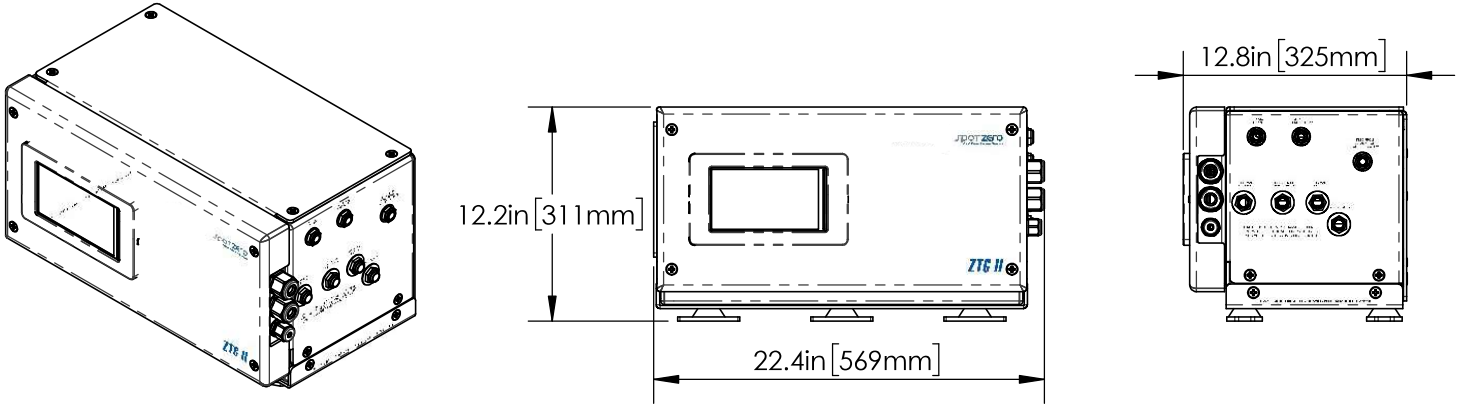


### SHORT PRE-FILTER

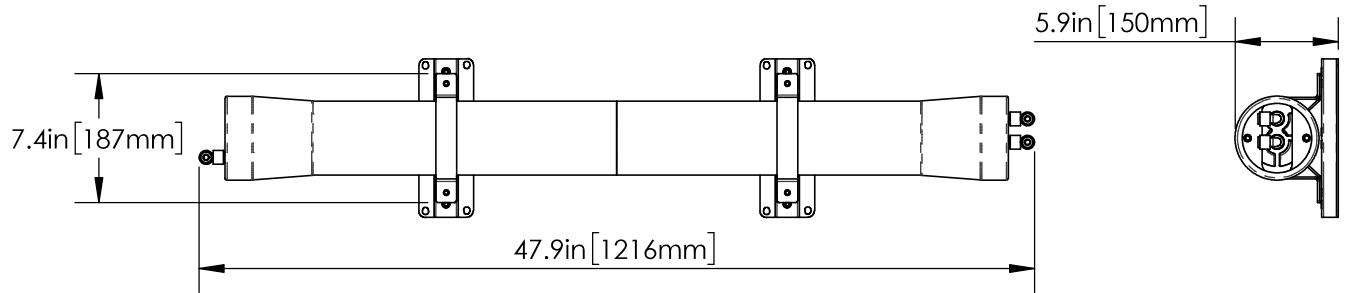


NOTE: NO UPCHARGE IF SPECIFIED WHEN PLACING ORDER

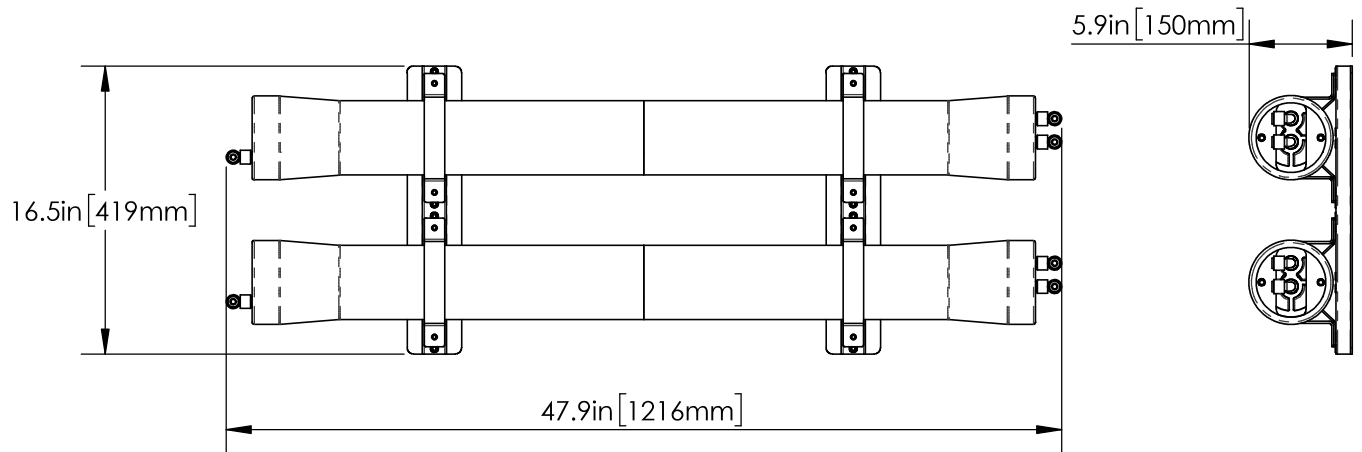
## SUPPLEMENTAL ZTCII DIMENSIONS

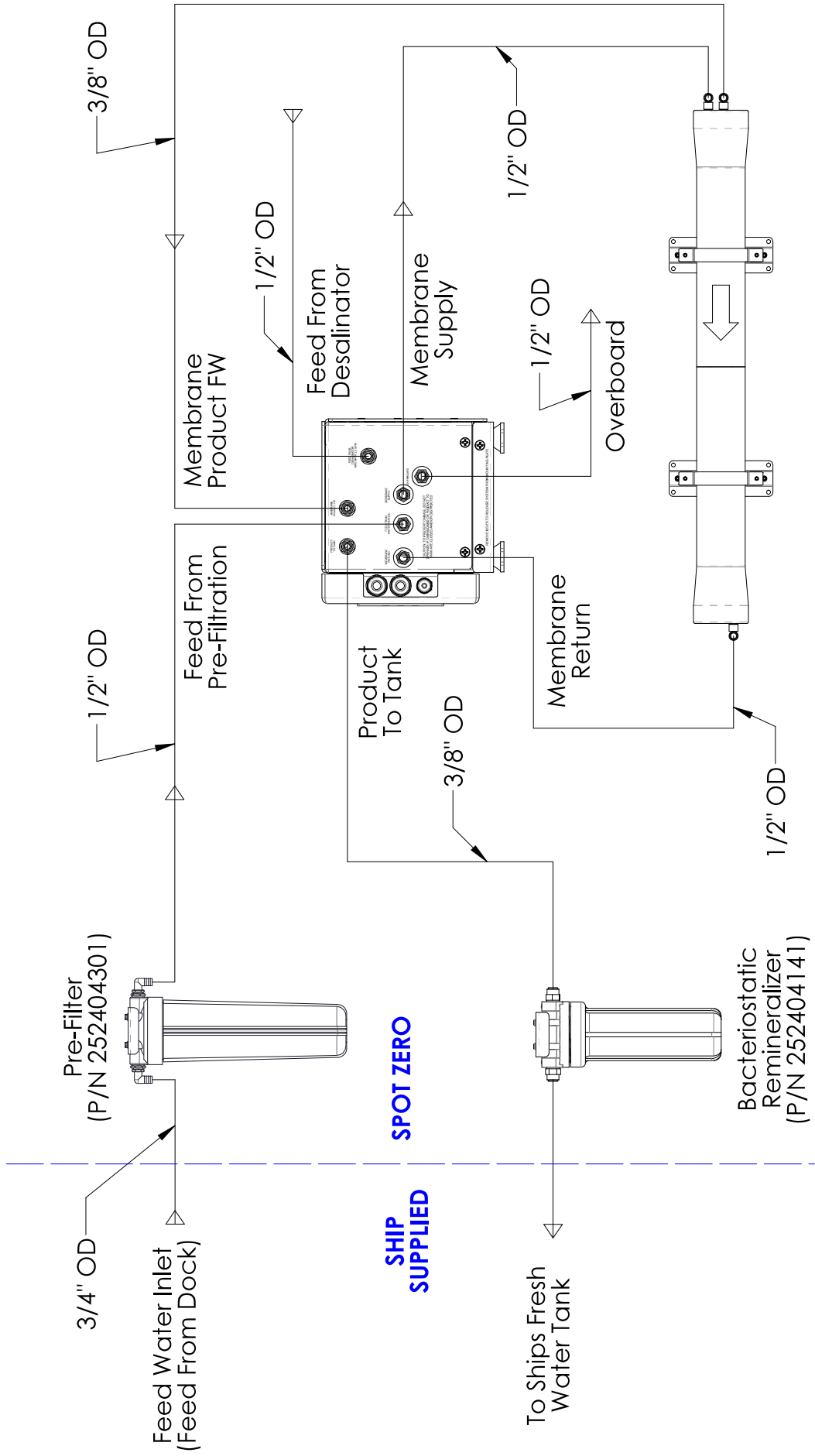


### ZTCII 2000 MEMBRANE VESSEL 2000 GPD (7571 LPD) / 83 GPH (315 LPH)



### ZTCII 3000 MEMBRANE VESSELS 3000 GPD (11356 LPD) / 125 GPH (473 LPH)





**Notes:**

- 1) The tubing or piping used for the inlet of the feed water is 3/4" I.D.
- 2) The tubing or piping used for the discharge of the concentrate is 1/2" O.D. and should be run to an open overboard in a free and unrestricted manner.
- 3) A pressure relief valve is recommended in the "Feed from Desalinator" set at 8 psi.



**ZTCII One Line Flow Drawing**

NAME	DATE
ES	1/14/20
DRAWN	
CHECKED	
ENG APPR.	
MFG APPR.	
Q.A.	

UNLESS OTHERWISE SPECIFIED:  
 DIMENSIONS ARE IN INCHES  
 DECIMALS: ±.005  
 FRACTIONAL: ±1/32  
 ANGULAR: MACH ±1/2 BEND ±1  
 TWO PLACE DECIMAL ±.010  
 THREE PLACE DECIMAL ±.005

**PROPRIETARY AND CONFIDENTIAL**  
 THE INFORMATION CONTAINED IN THIS DRAWING IS THE SOLE PROPERTY OF SPOT ZERO. ANY REPRODUCTION IN PART OR AS A WHOLE WITHOUT THE WRITTEN PERMISSION OF SPOT ZERO IS PROHIBITED.

REVISIONS

REV.	DESCRIPTION	NAME	DATE	APPROVED
C	Note 3 added to drawing Sheet 2 with revision table added	JD	10/12/2020	BGK

**PROPRIETARY AND CONFIDENTIAL**  
 THE INFORMATION CONTAINED IN THIS DRAWING IS THE SOLE PROPERTY OF SPOT ZERO. ANY  
 REPRODUCTION IN PART OR AS A WHOLE WITHOUT THE WRITTEN PERMISSION OF SPOT ZERO IS  
 PROHIBITED.

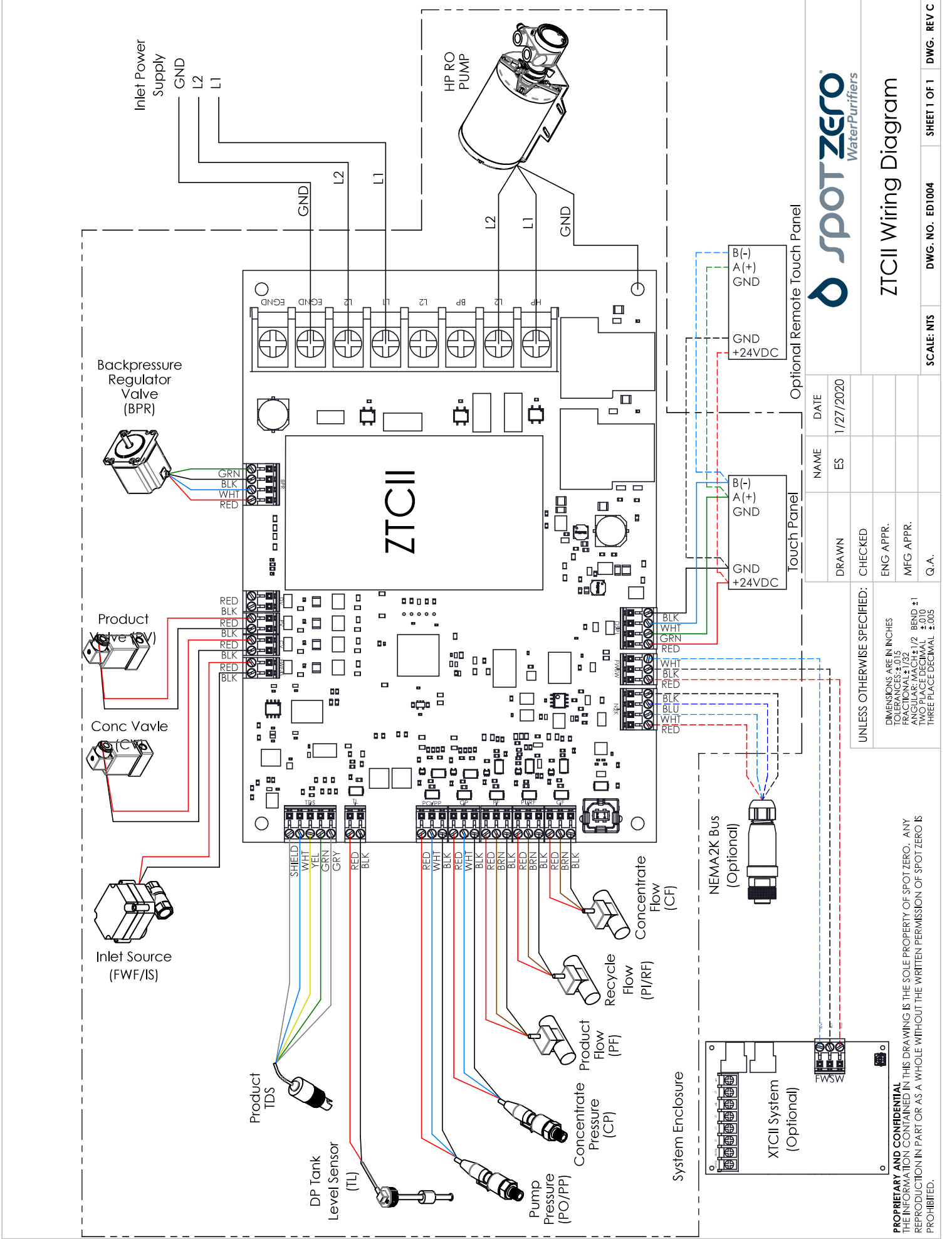
NAME	DATE
DRAWN	ES
CHECKED	
ENG APPR.	
MFG APPR.	
Q.A.	

UNLESS OTHERWISE SPECIFIED:

DIMENSIONS ARE IN INCHES  
 DECIMALS ±.015  
 FRACTIONAL ±1/32  
 ANGULAR: MACH ±1/2 BEND ±1  
 TWO PLACE DECIMAL ±.010  
 THREE PLACE DECIMAL ±.005



ZTCII One Line Flow Drawing



# ZTCII Wiring Diagram

NAME	DATE
ES	1/27/2020

DRAWN	CHECKED	ENG APPR.	MFG APPR.	Q.A.

UNLESS OTHERWISE SPECIFIED:  
 DIMENSIONS ARE IN INCHES  
 TOLERANCES:  
 FRACTIONAL: ±1/32  
 ANGULAR: MACH: ±1/2 BEND: ±1  
 TWO PLACE DECIMAL: ±0.01  
 THREE PLACE DECIMAL: ±0.005

**PROPRIETARY AND CONFIDENTIAL**  
 THE INFORMATION CONTAINED IN THIS DRAWING IS THE SOLE PROPERTY OF SPOT ZERO. ANY REPRODUCTION IN PART OR AS A WHOLE WITHOUT THE WRITTEN PERMISSION OF SPOT ZERO IS PROHIBITED.