



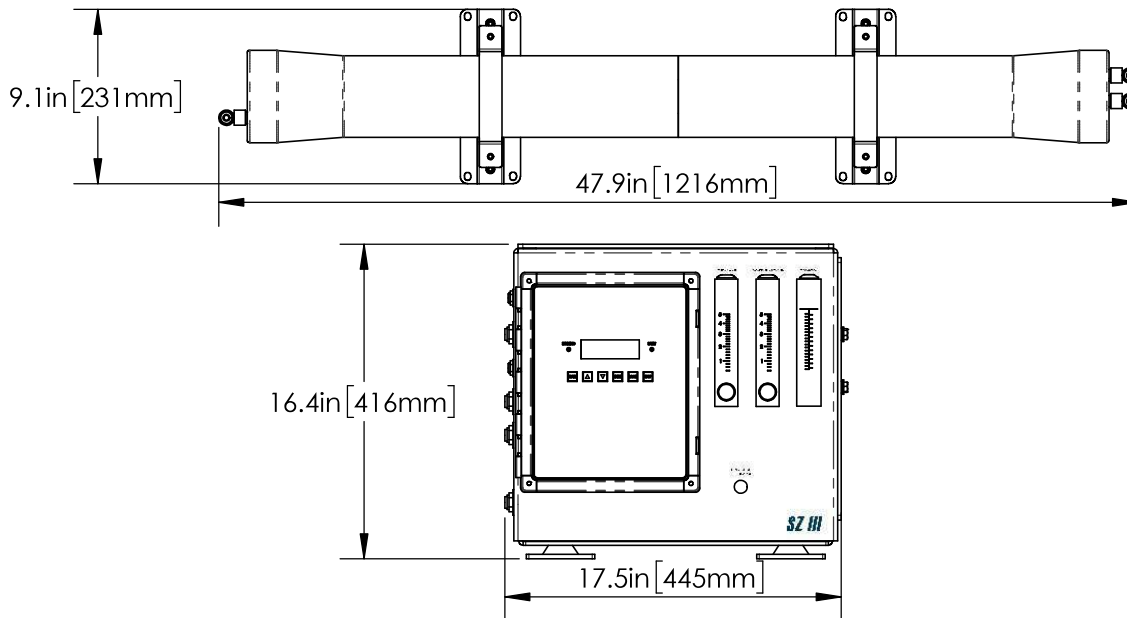
## SZIII CONFIGURATIONS

### SZIII 2000

2000GPD (7571 LPD) / 83 GPH (314 LPH)

115V AC P/N:9610003810

230V AC P/N:9610003808

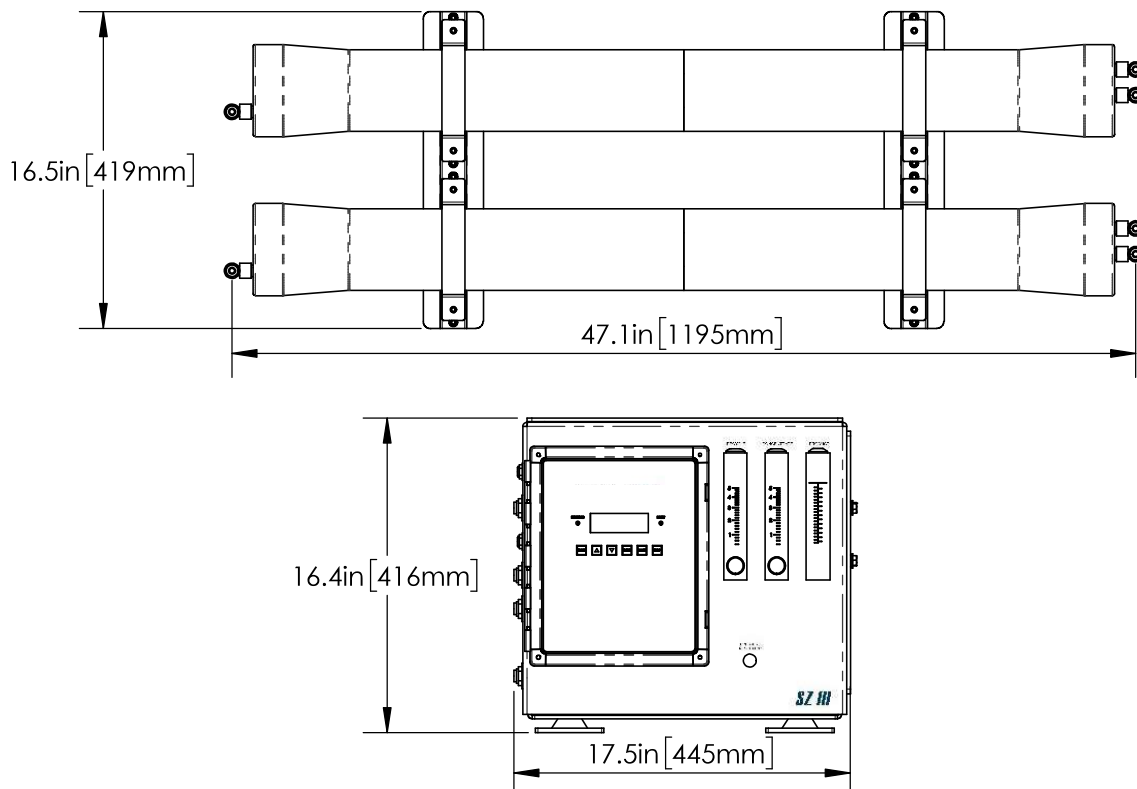


### SZIII 3000

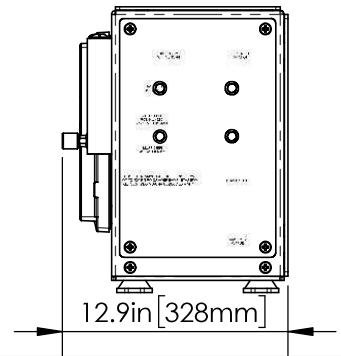
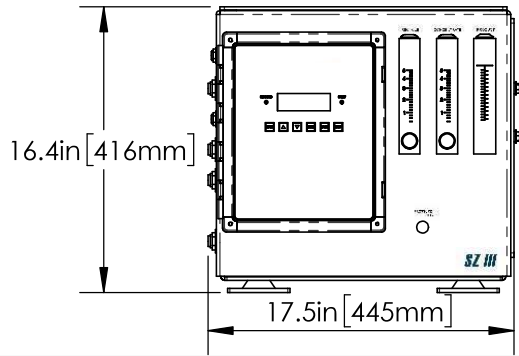
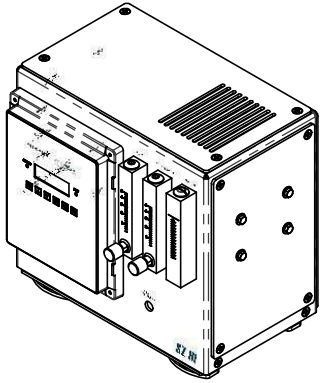
3000GPD (11356 LPD) / 125 GPH (473 LPH)

115V AC P/N:9610003807

230V AC P/N:9610003806

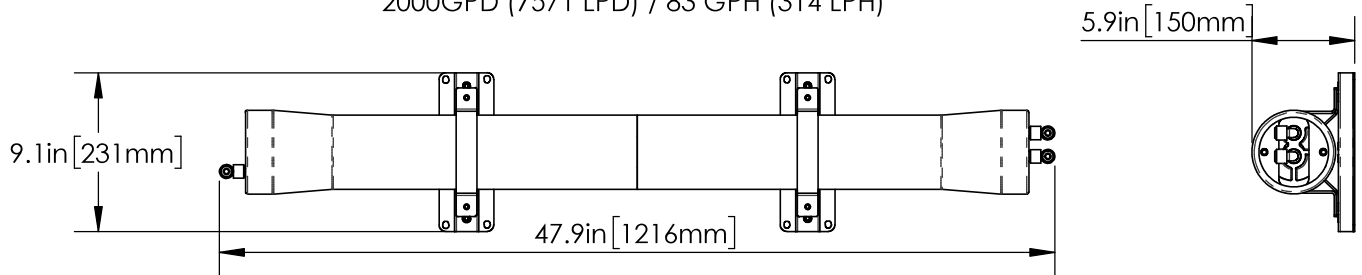


# SUPPLEMENTAL SZIII DIMENSIONS



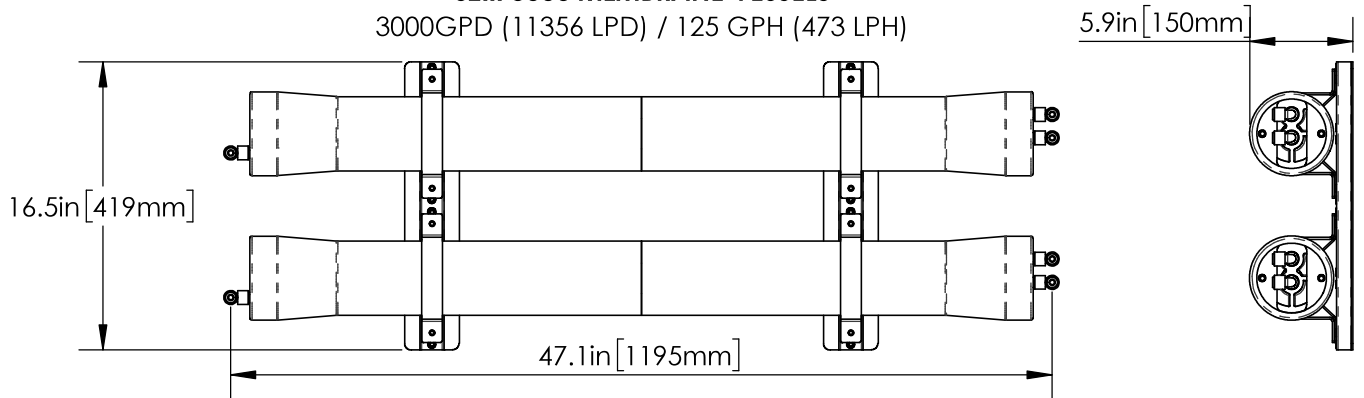
## SZIII 2000 MEMBRANE VESSEL

2000GPD (7571 LPD) / 83 GPH (314 LPH)



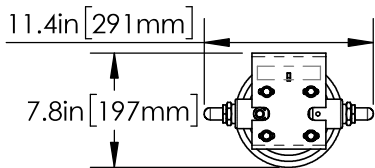
## SZIII 3000 MEMBRANE VESSELS

3000GPD (11356 LPD) / 125 GPH (473 LPH)

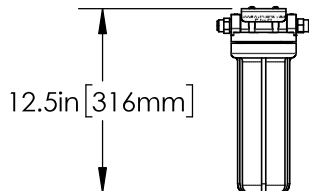
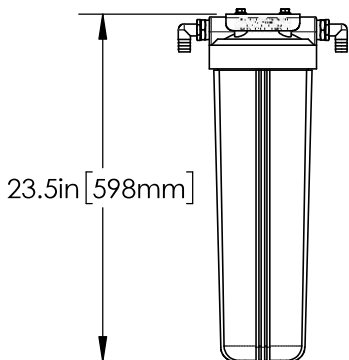
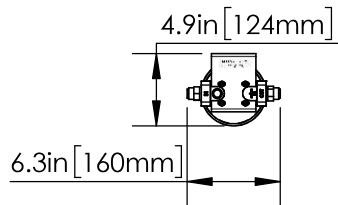


### STANDARD EQUIPMENT

#### FW COMMERCIAL PRE-FILTER

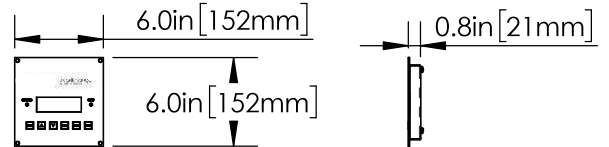


#### BACTERIOSTATIC REMINERALIZER & pH NEUTRALIZER

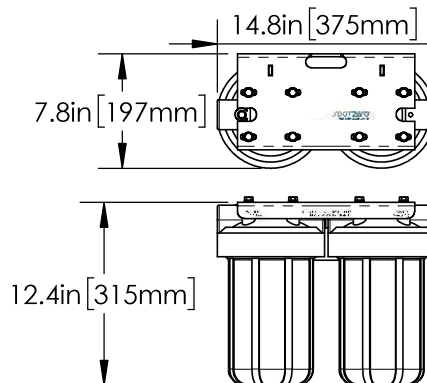


### OPTIONAL EQUIPMENT

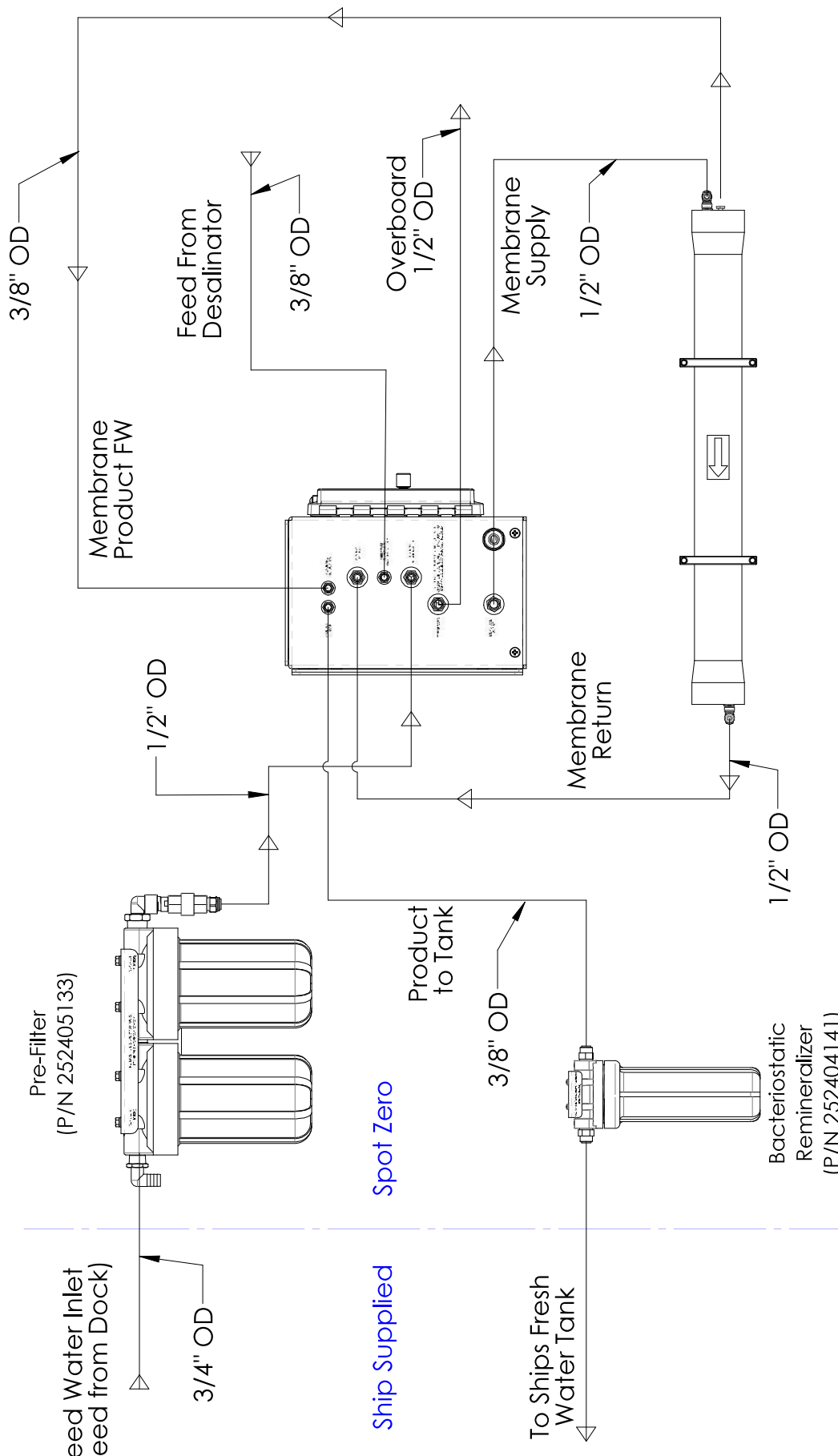
#### ADDITIONAL REMOTE MOUNTED LCD KEYPAD



#### OPTIONAL SHORT FW PRE-FILTER ASSEMBLY



NOTE: NO UPCHARGE IF SPECIFIED WHEN PLACING ORDER



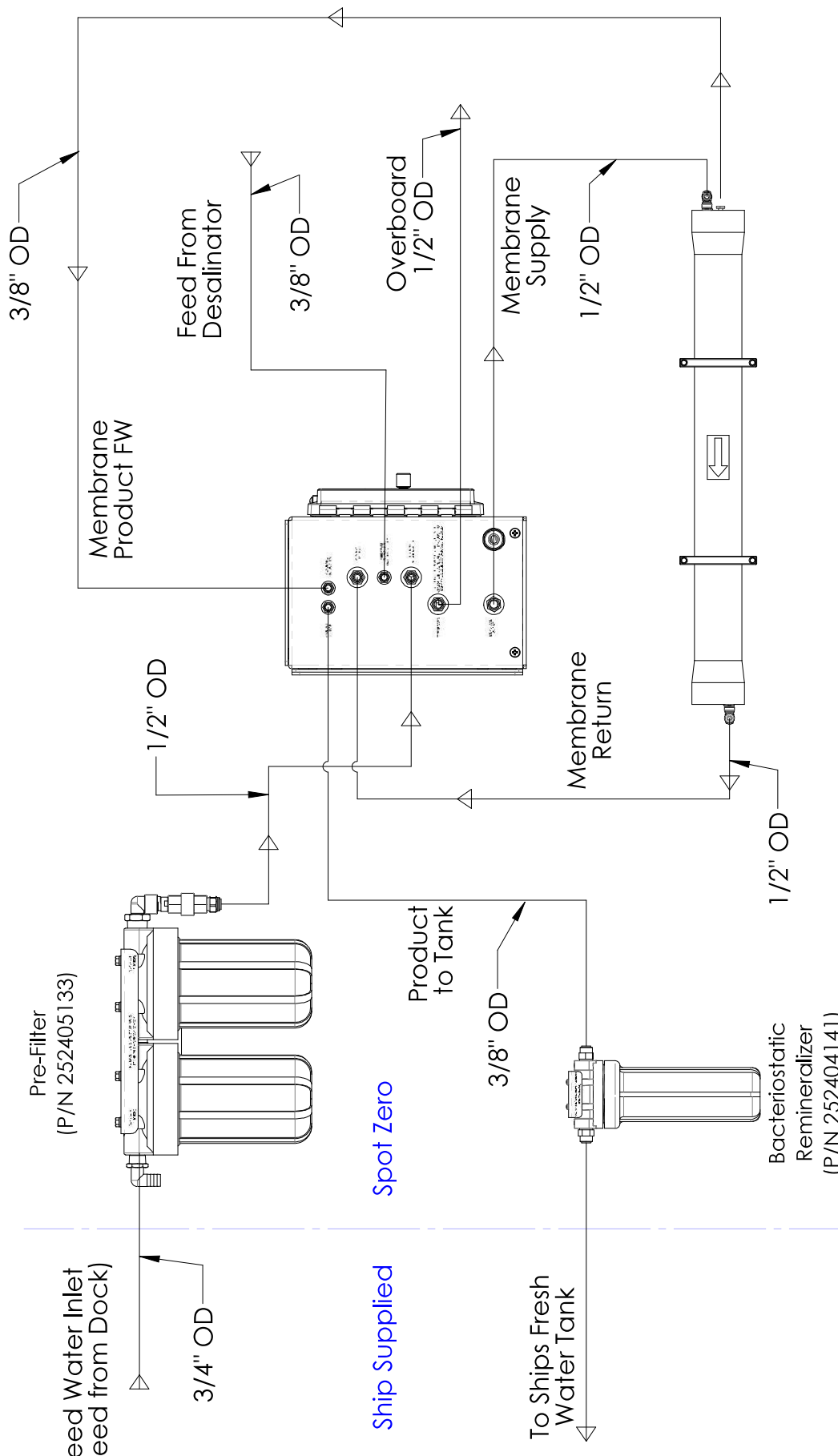
**Notes:**

- 1) The tubing or piping used for the inlet of the feed water is 3/4" I.D.
- 2) The tubing or piping used for the discharge of the concentrate is 1/2" O.D. and should be run to an open overboard in a free and unrestricted manner.
- 3) A pressure relief valve is recommended in the "Feed from Desalinator" set at 8 psi.

		NAME	DATE
		CT	2/10/22
DRAWN	CHECKED	ENG APPR.	
		MFG APPR.	
		Q.A.	

**SZIII One Line Flow Drawing**

**PROPRIETARY AND CONFIDENTIAL**  
 THE INFORMATION CONTAINED IN THIS DRAWING IS THE SOLE PROPERTY OF SPOT ZERO. ANY REPRODUCTION IN PART OR AS A WHOLE WITHOUT THE WRITTEN PERMISSION OF SPOT ZERO IS PROHIBITED.



**Notes:**

- 1) The tubing or piping used for the inlet of the feed water is 3/4" I.D.
- 2) The tubing or piping used for the discharge of the concentrate is 1/2" O.D. and should be run to an open overboard in a free and unrestricted manner.
- 3) A pressure relief valve is recommended in the "Feed from Desalinator" set at 8 psi.

		NAME	DATE
		CT	2/10/22
DRAWN	CHECKED	ENG APPR.	
		MFG APPR.	
		Q.A.	

**SZIII One Line Flow Drawing**

**PROPRIETARY AND CONFIDENTIAL**  
 THE INFORMATION CONTAINED IN THIS DRAWING IS THE SOLE PROPERTY OF SPOT ZERO. ANY REPRODUCTION IN PART OR AS A WHOLE WITHOUT THE WRITTEN PERMISSION OF SPOT ZERO IS PROHIBITED.